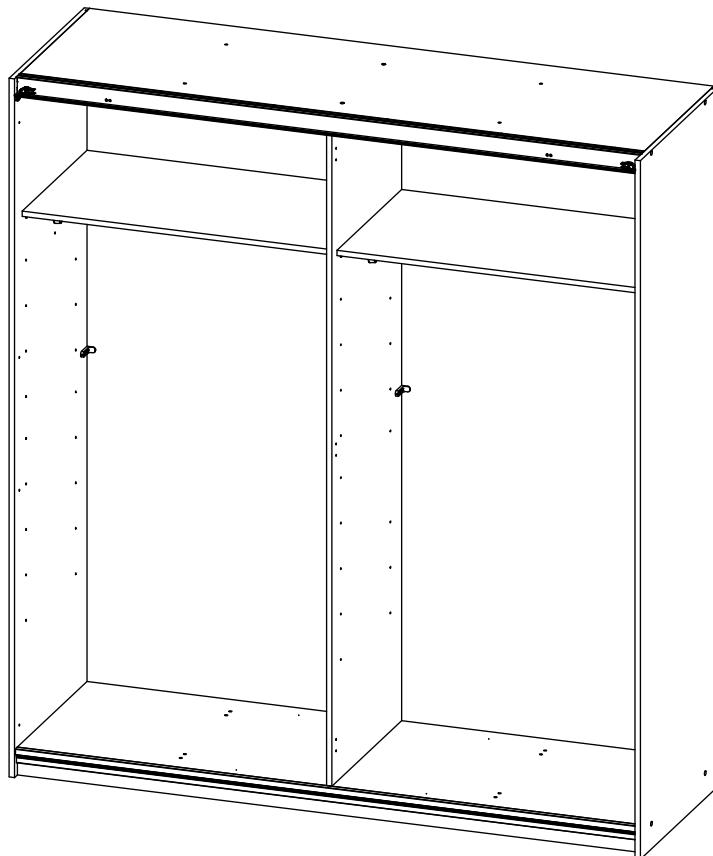


1.

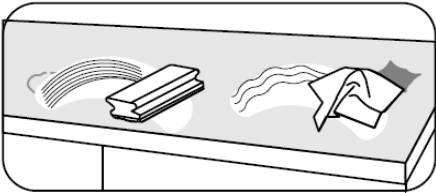
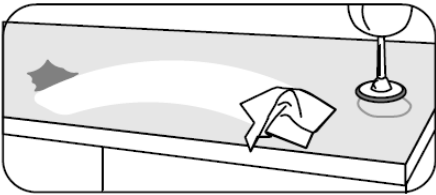
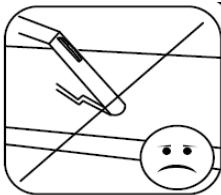
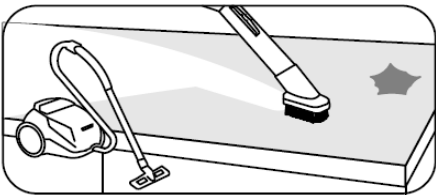
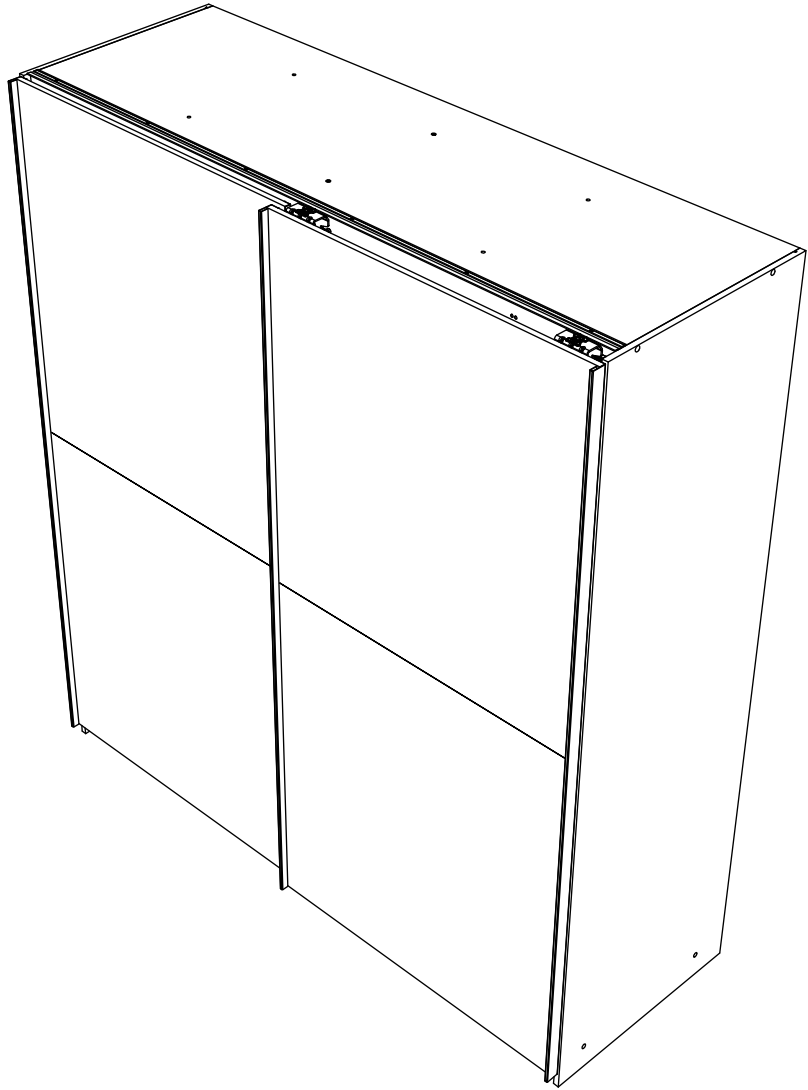


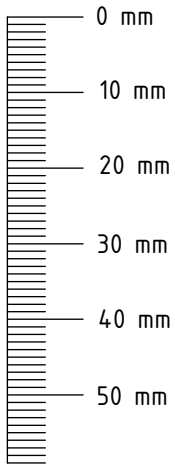
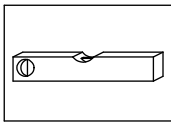
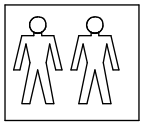
2.



3.

1.



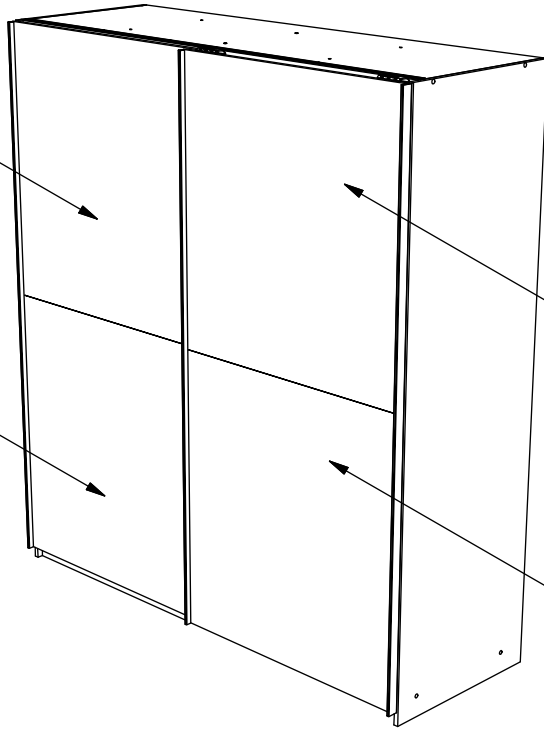


22

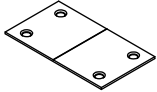
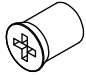
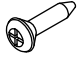
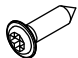




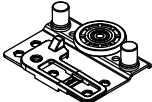

21

32

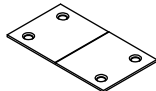
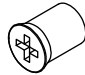




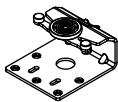
31

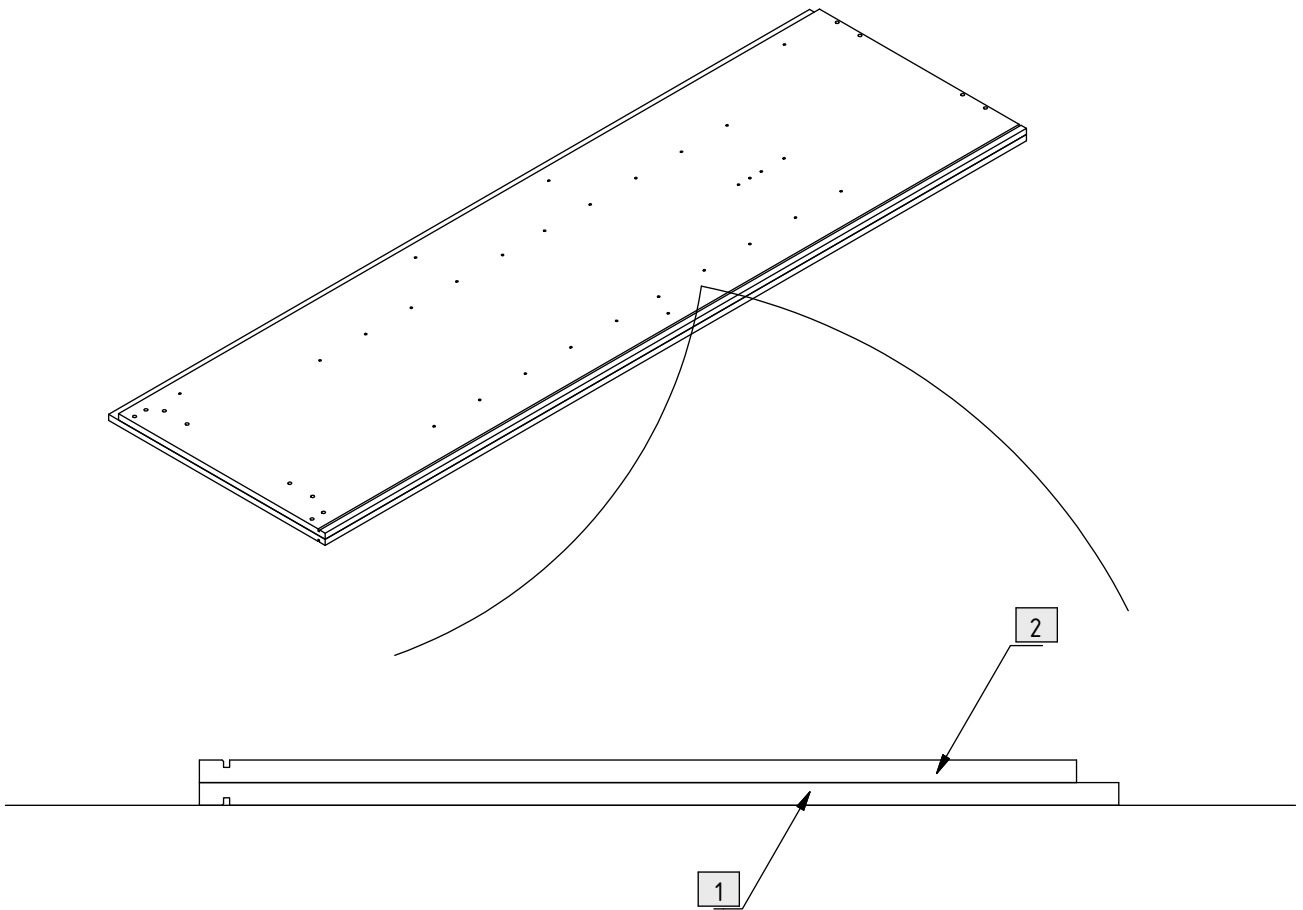
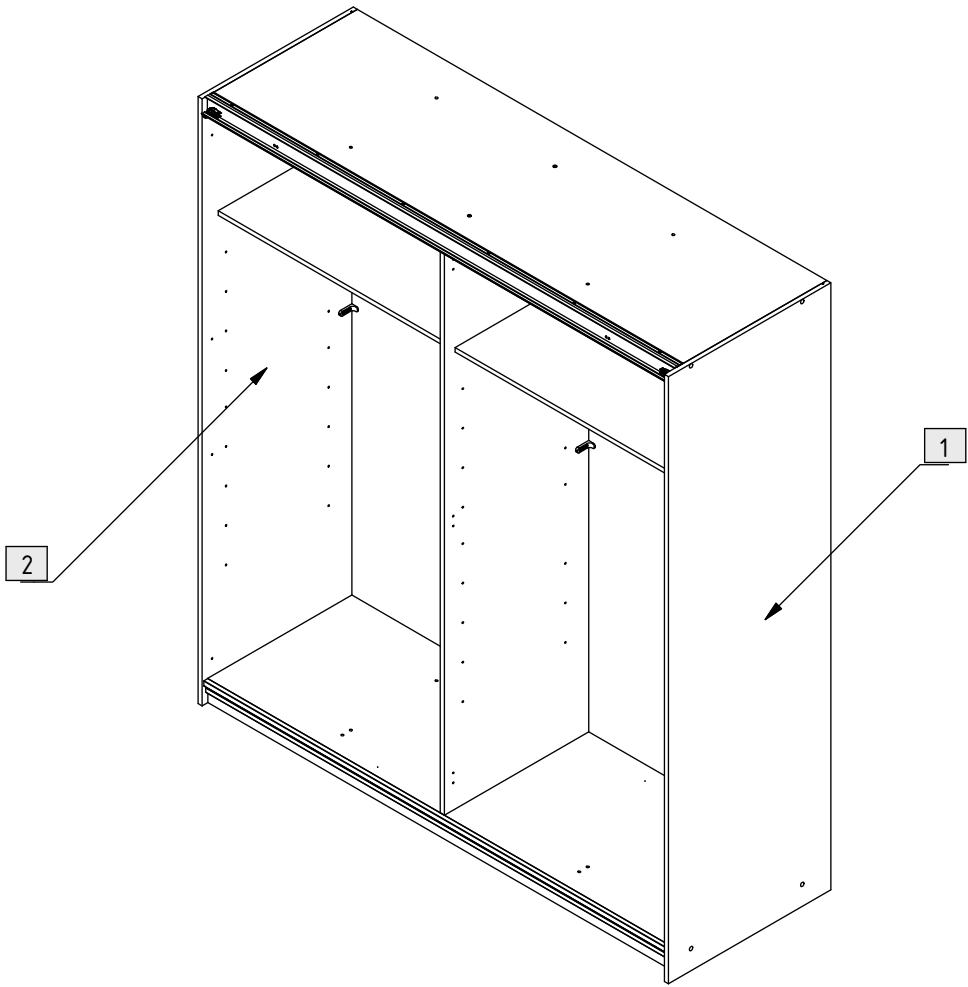


21 + 22

| | | | |
|-----|----|---|---------------|
| 230 | 1 |  | 90 x 50 mm |
| 306 | 10 |  | 6,3 x 10,0 mm |
| 380 | 4 |  | 3,5 x 15 mm |
| 382 | 20 |  | 4 x 15 mm |
| 800 | 1 |  | L = 1915 mm |
| 801 | 1 |  | L = 1915 mm |
| 804 | 2 |  | |
| 805 | 1 |  | |
| 806 | 1 |  | |
| 807 | 1 |  | |

31 + 32

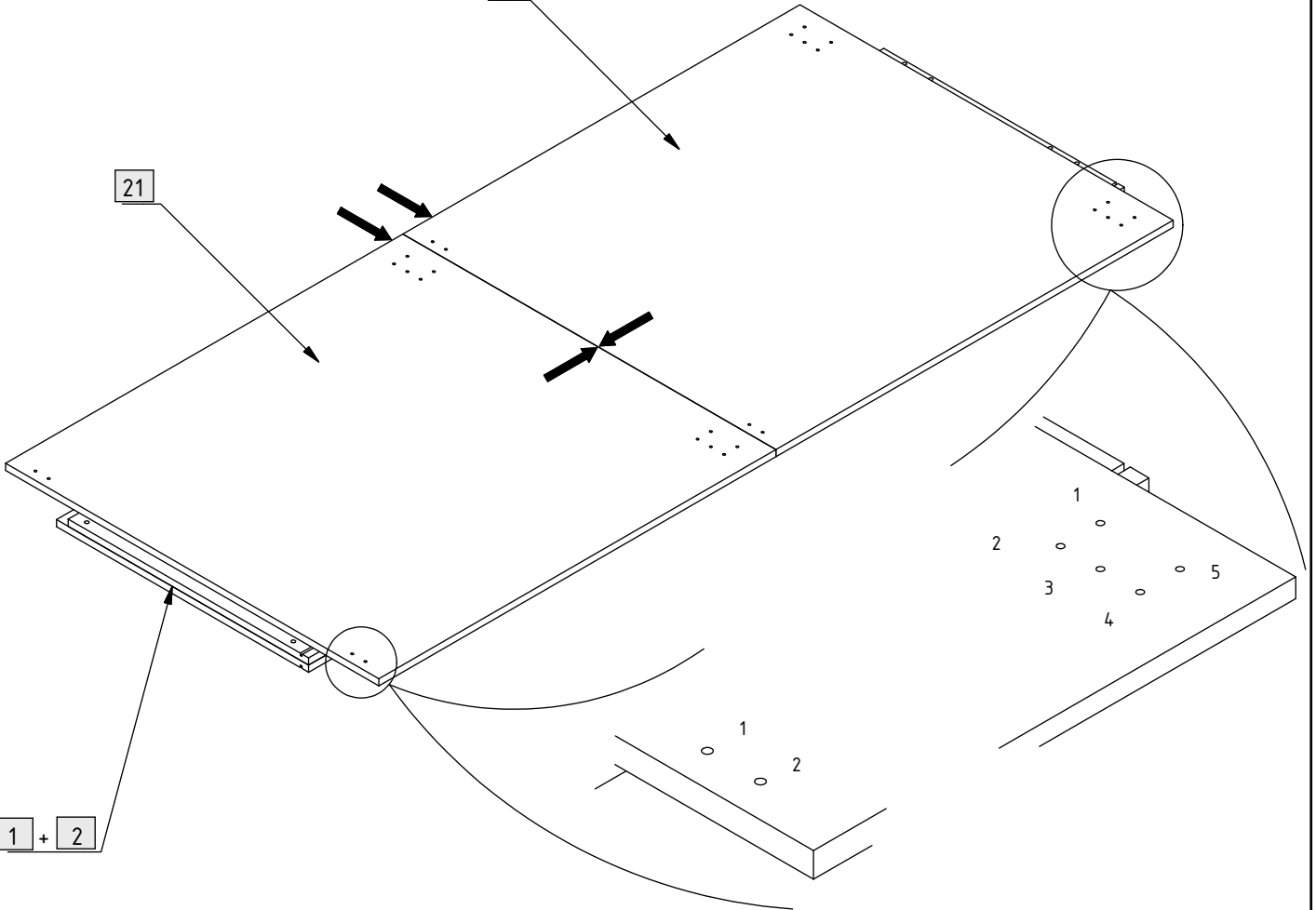
| | | | |
|-----|----|---|-------------|
| 230 | 1 |  | 90 x 50 mm |
| 306 | 14 |  | 6,3 x 10 mm |
| 380 | 4 |  | 3,5 x 15 mm |
| 382 | 20 |  | 4 x 15 mm |
| 800 | 2 |  | L = 1915 mm |
| 802 | 2 |  | |
| 803 | 2 |  | |



21 + 22

22

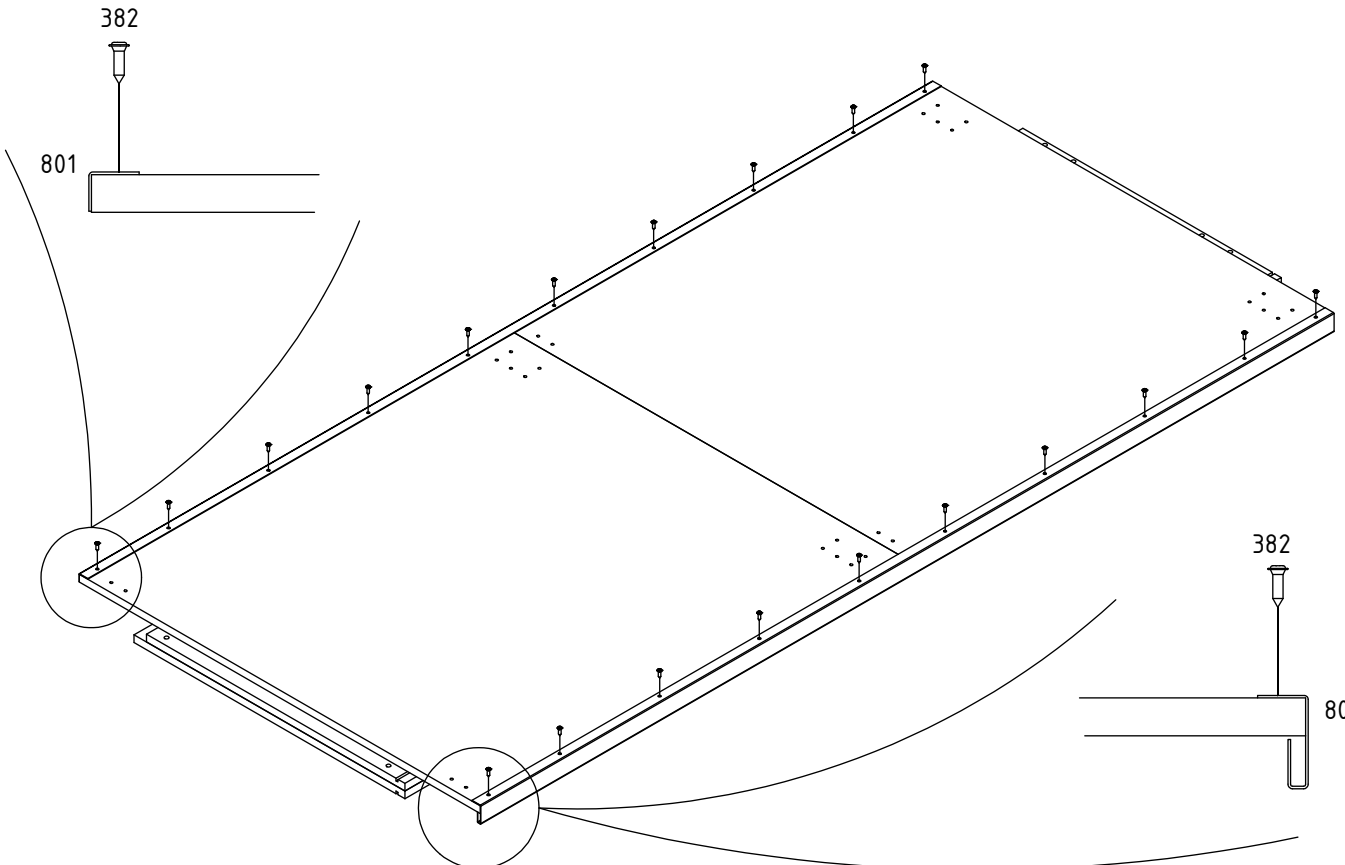
21



1 + 2

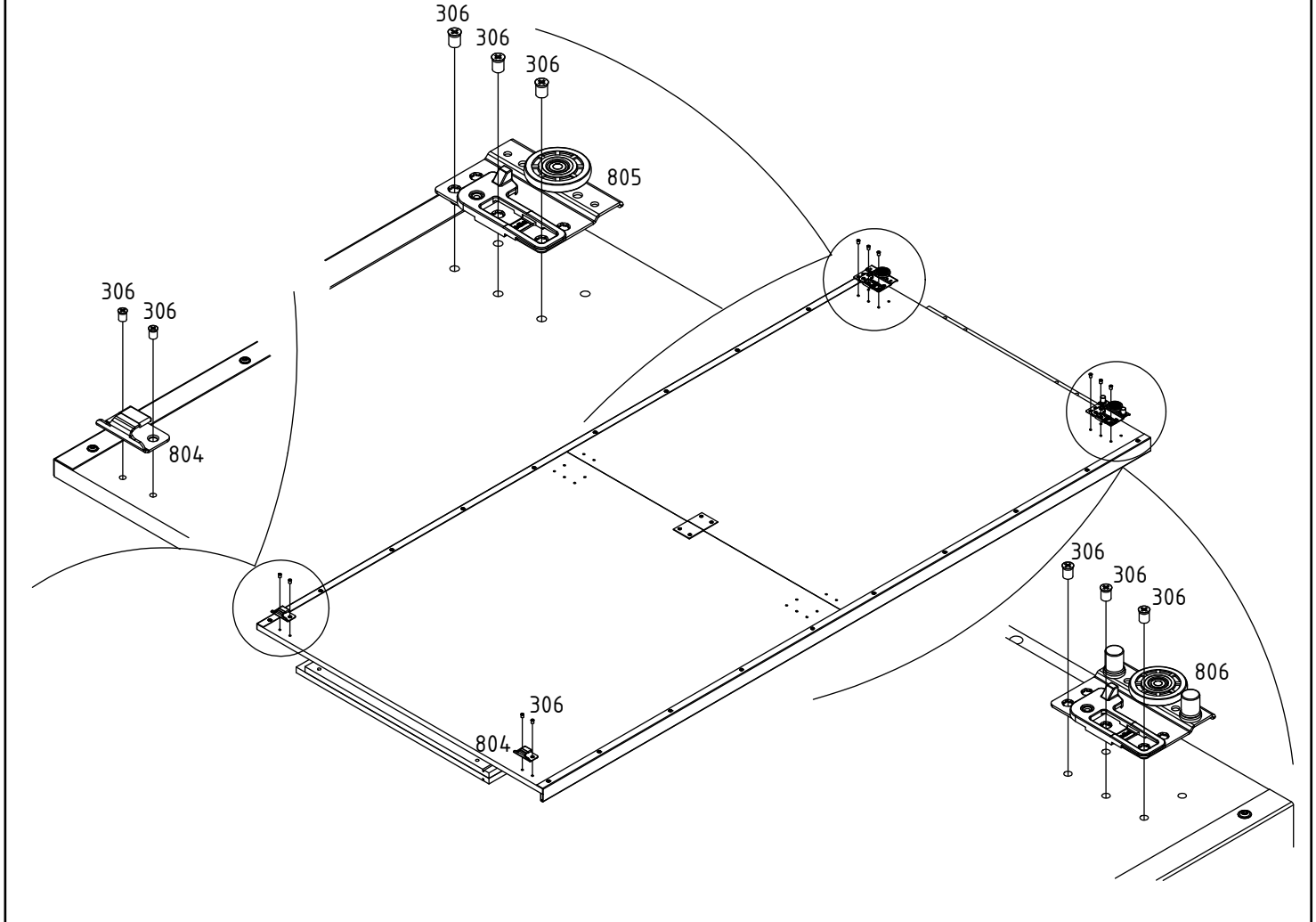
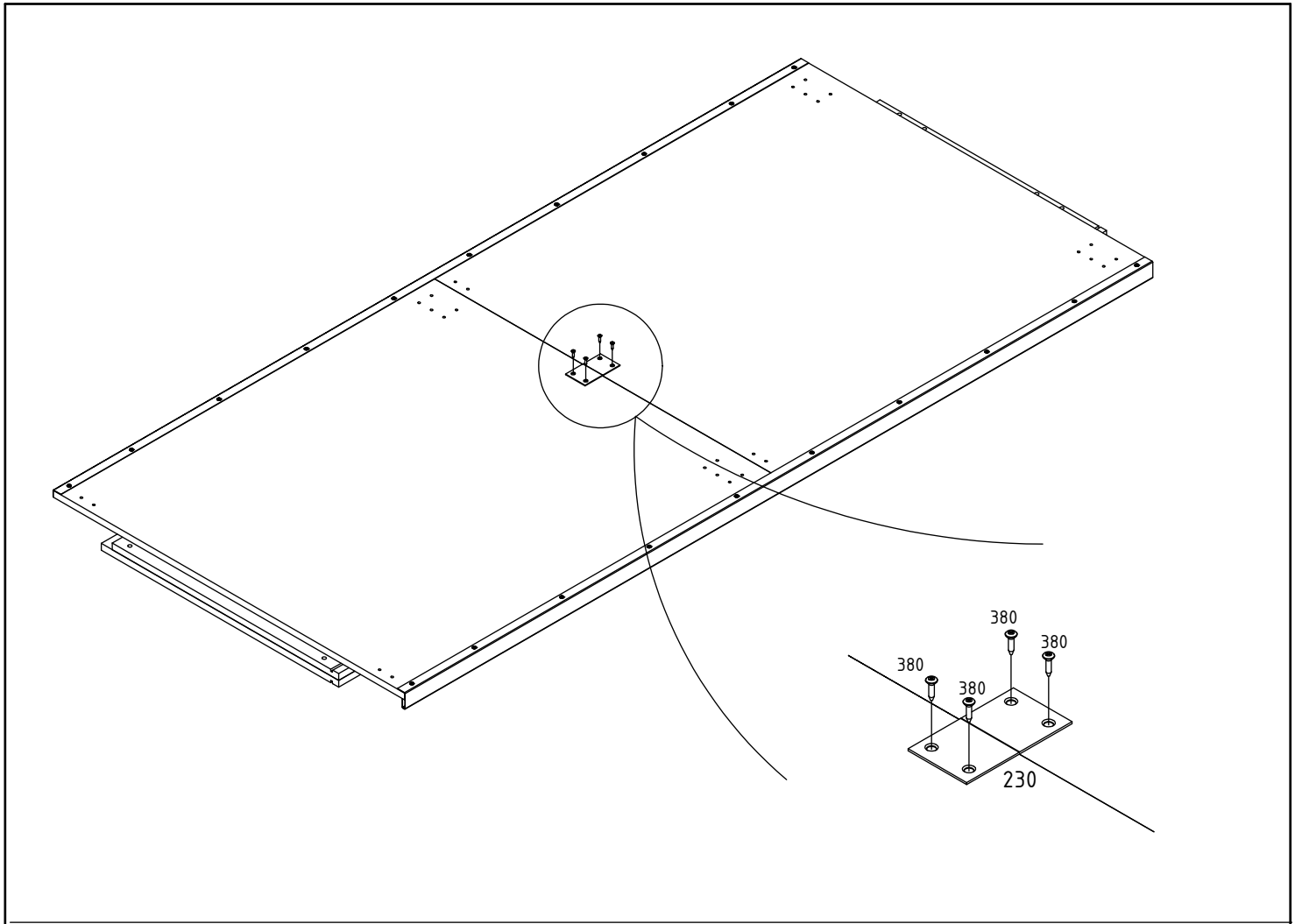
382

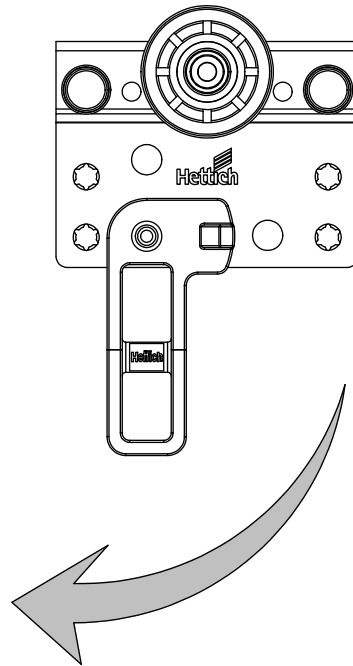
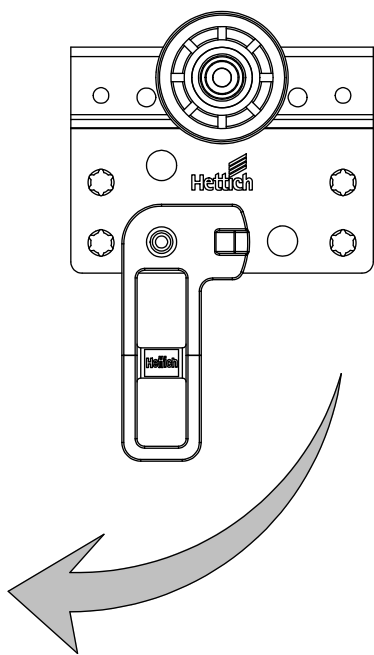
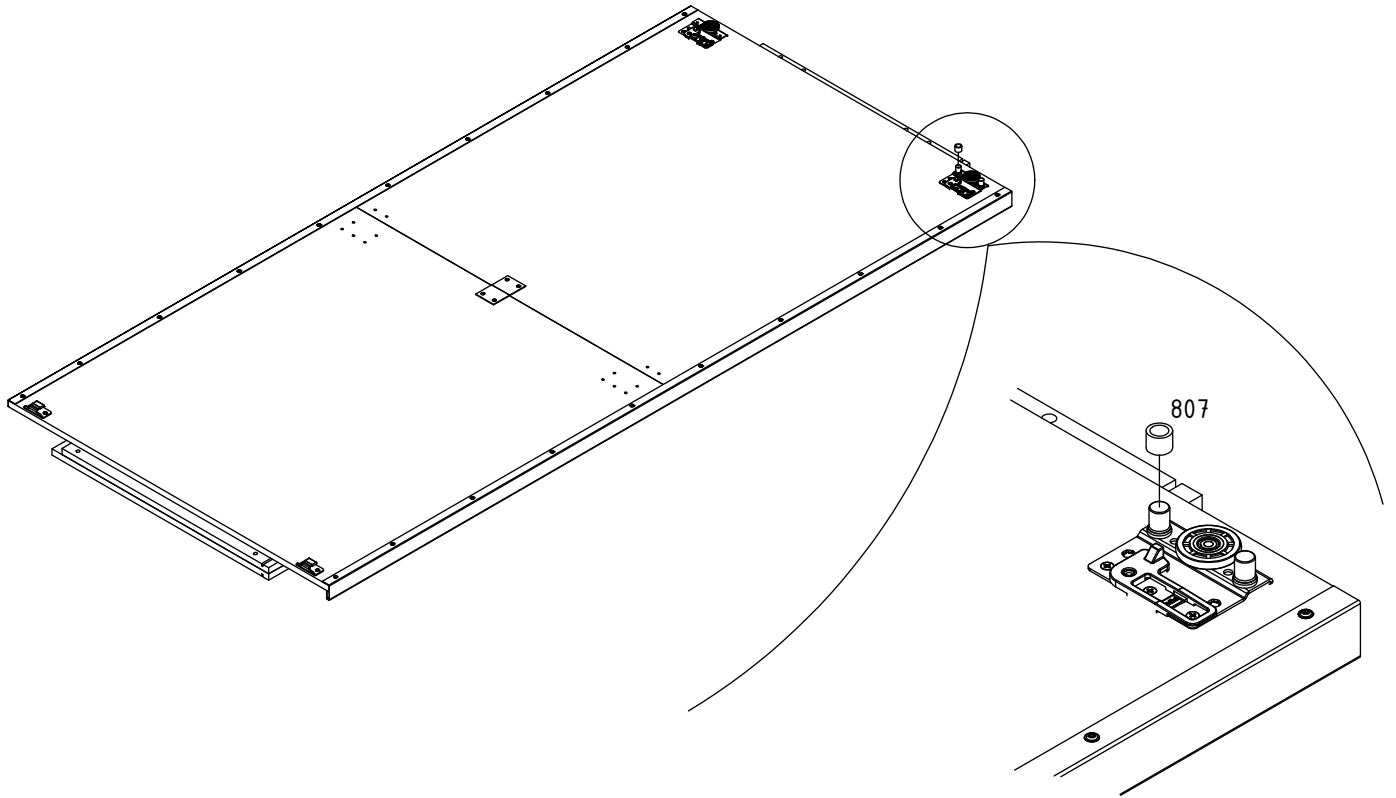
801

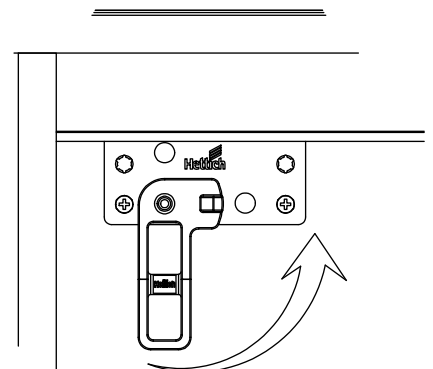
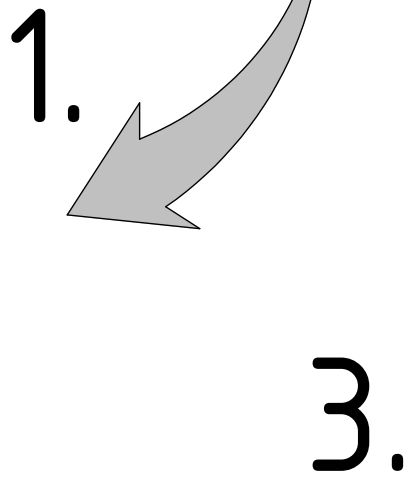
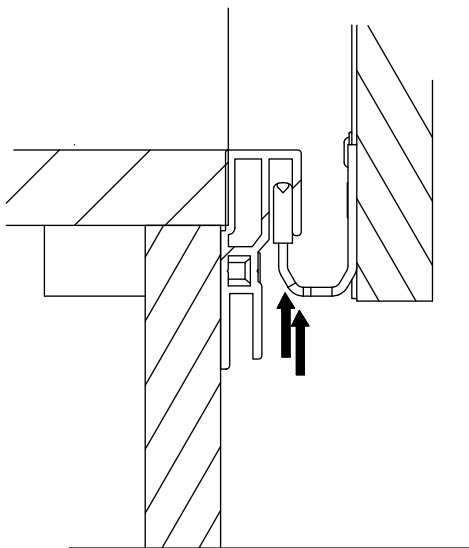
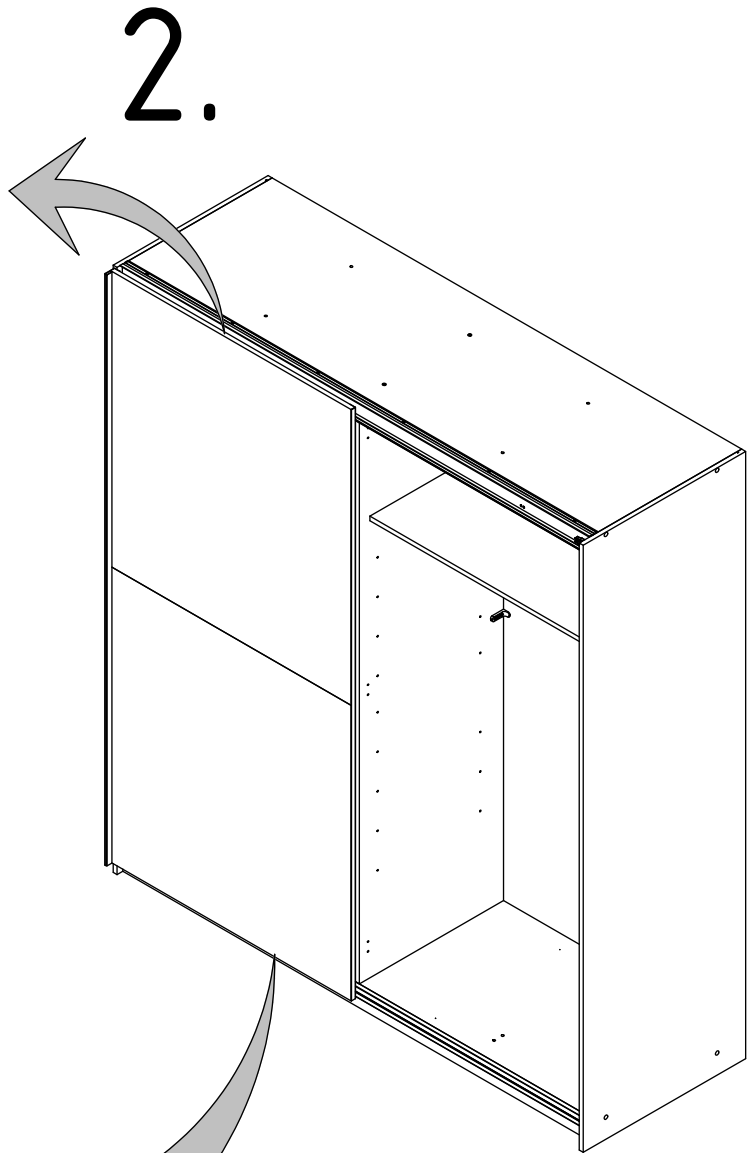
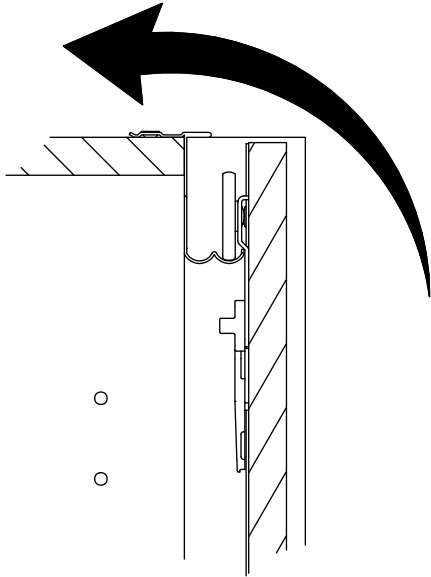
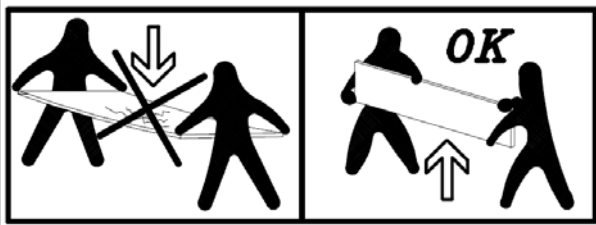


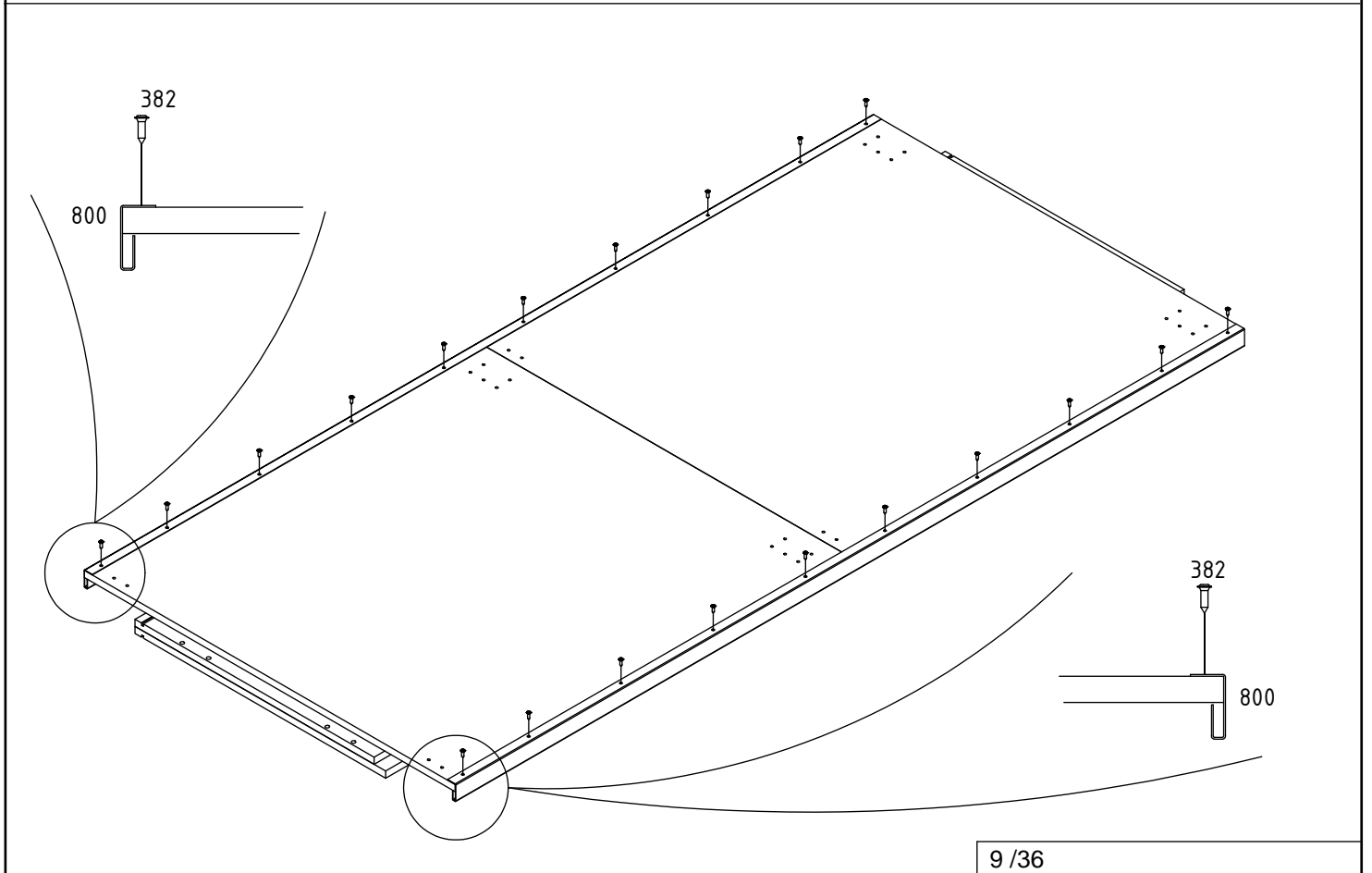
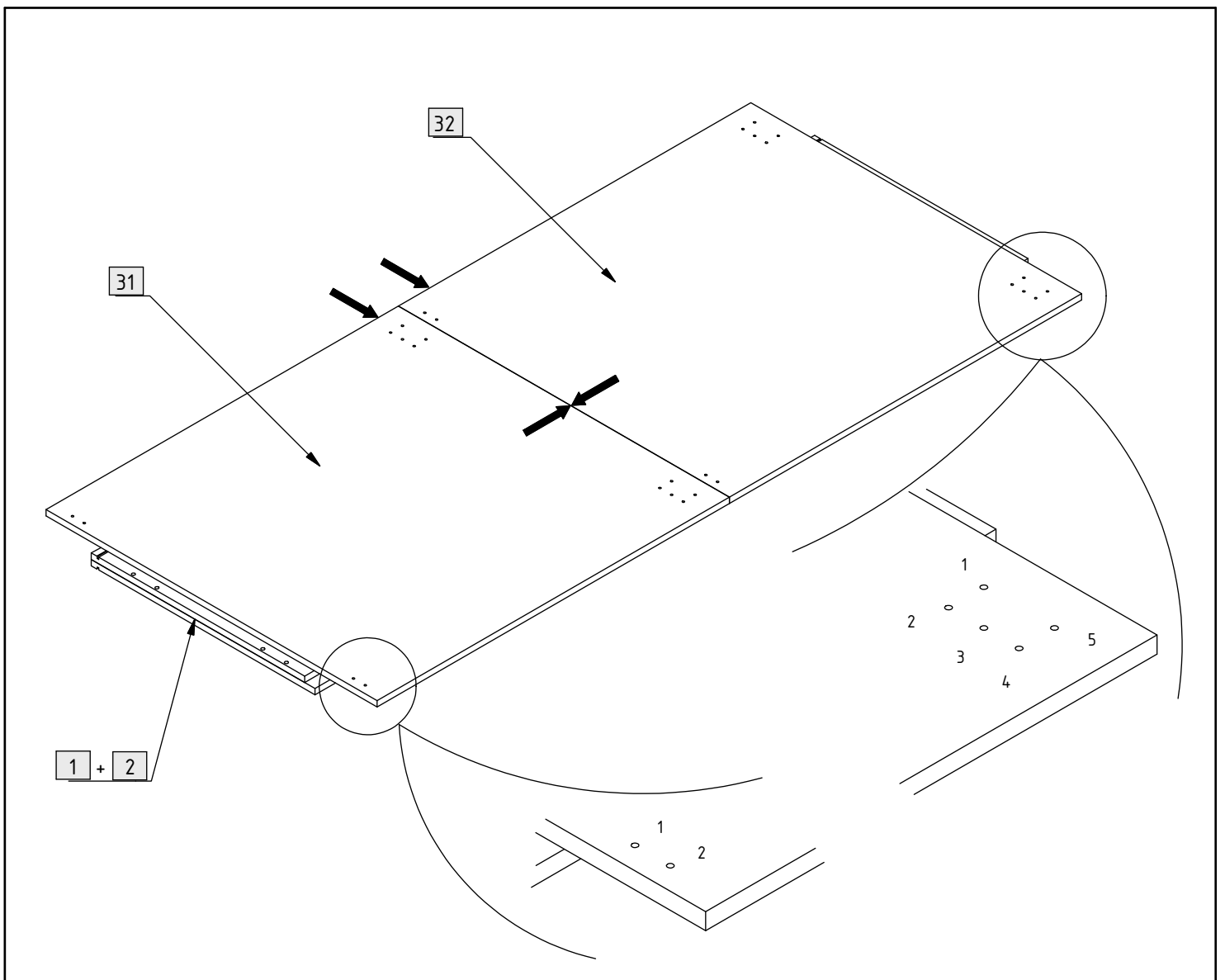
382

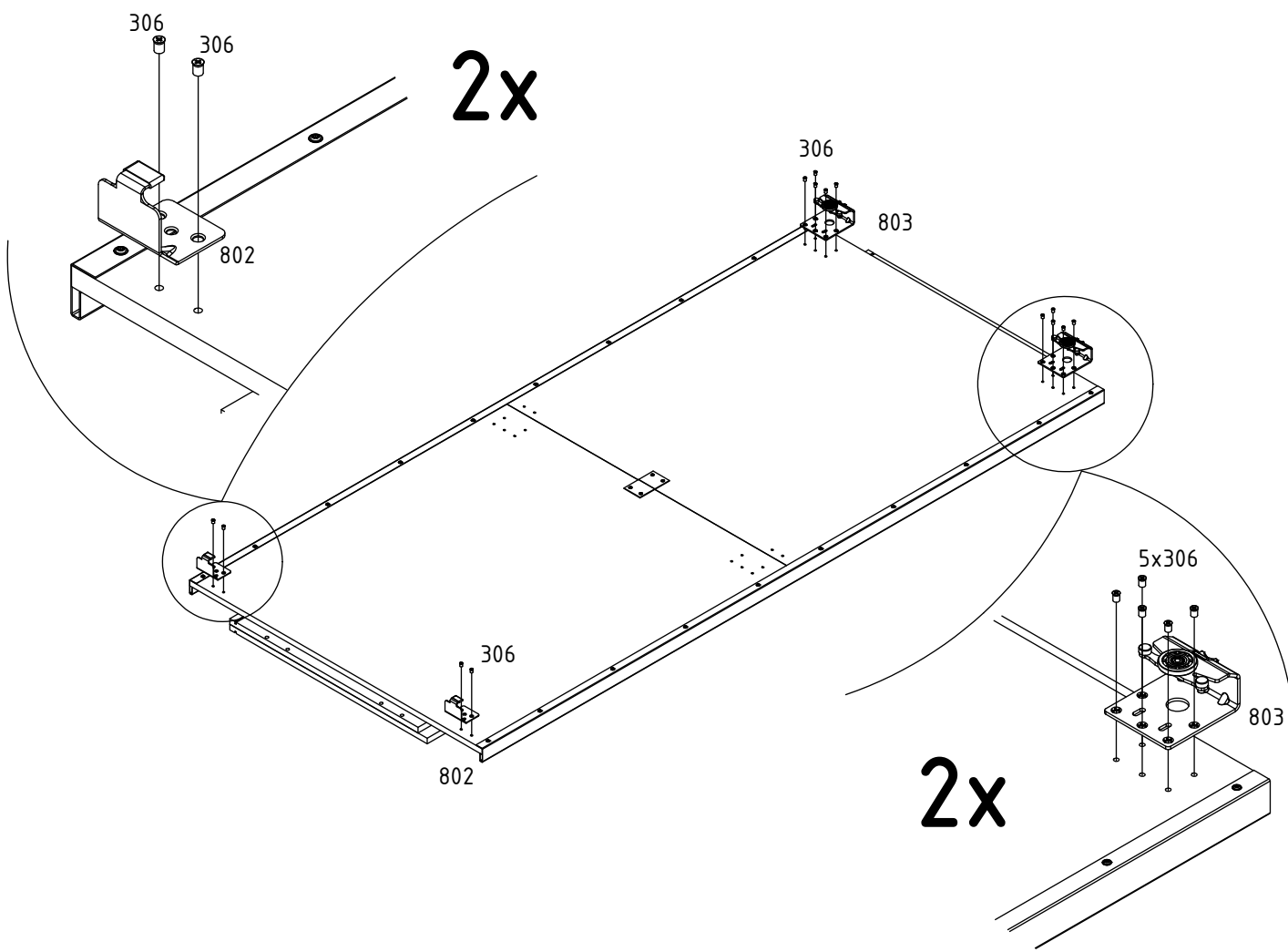
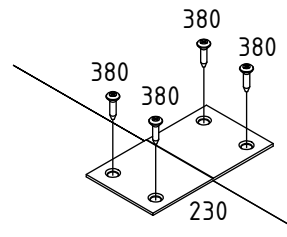
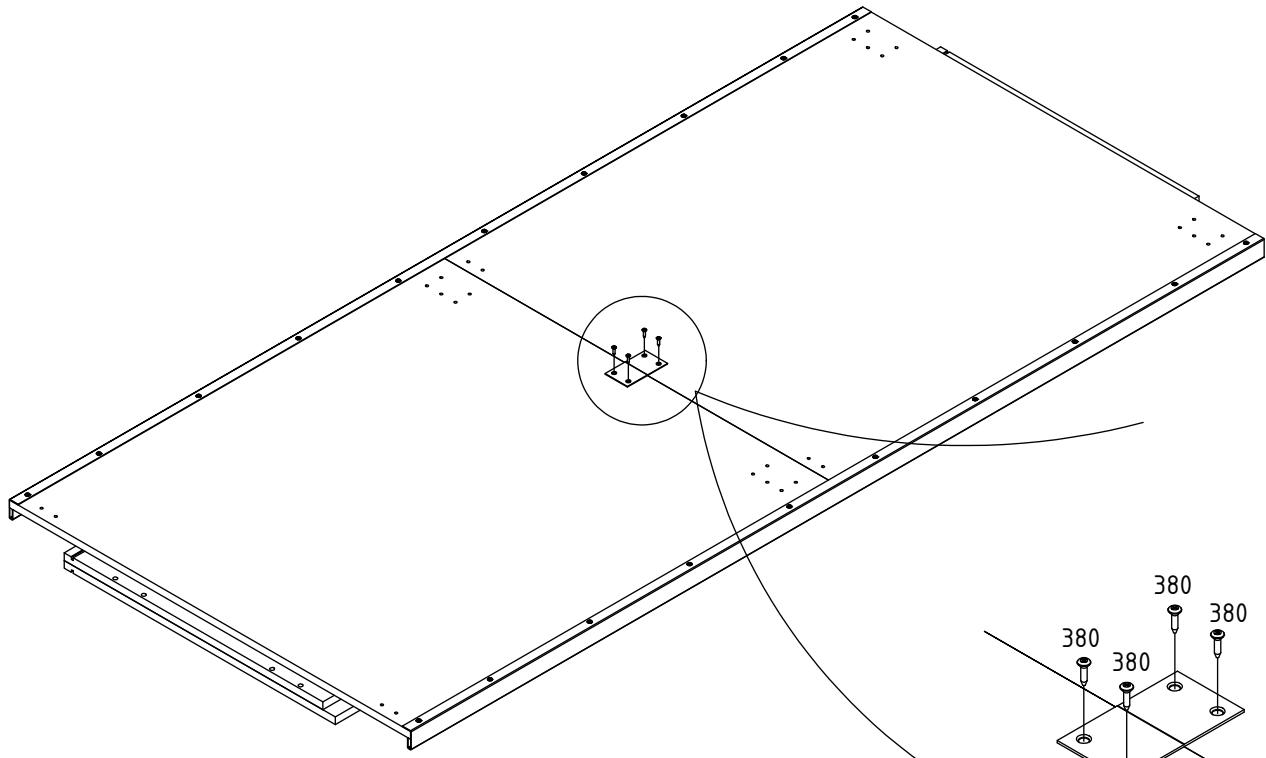
800

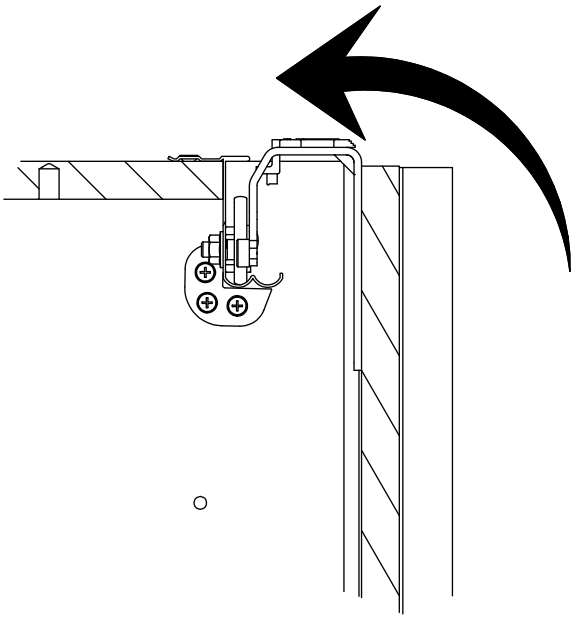
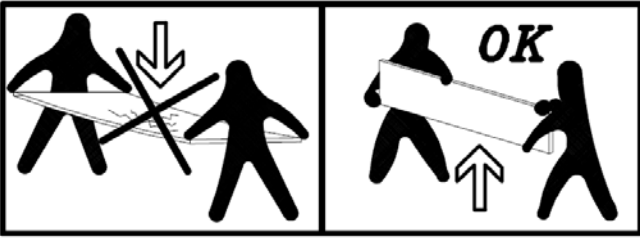




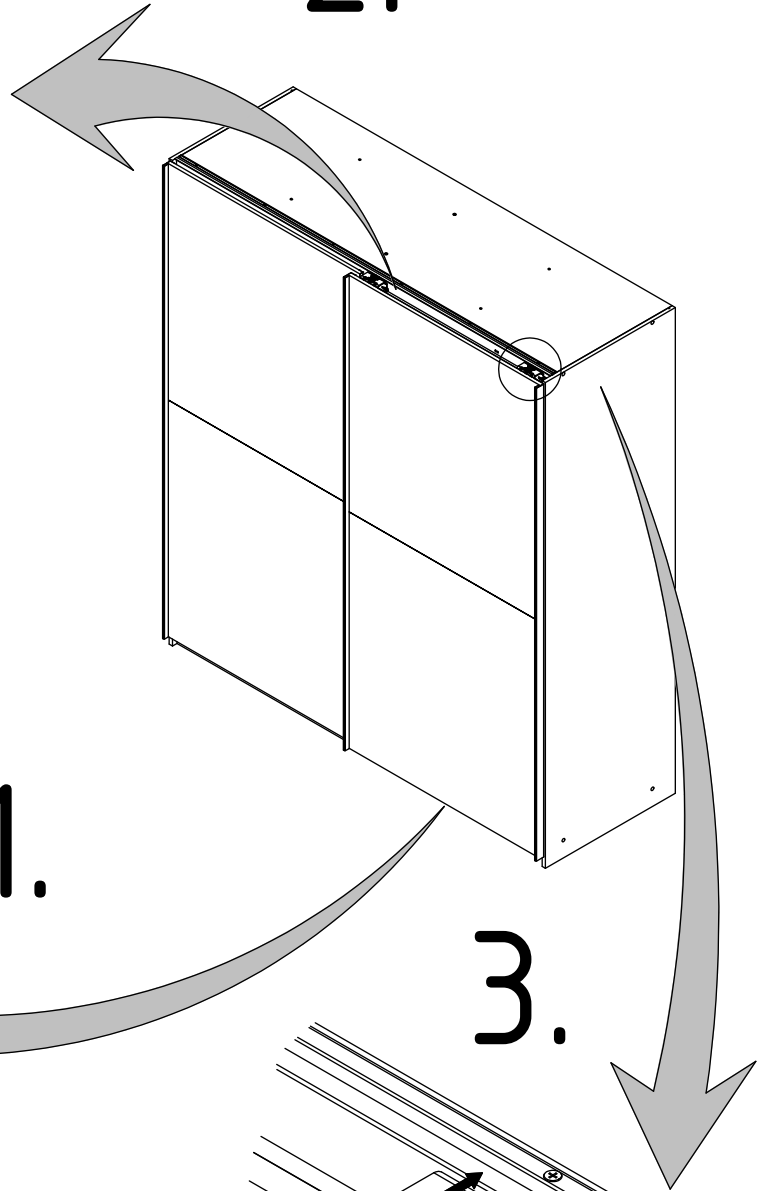




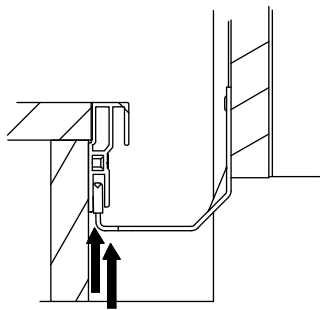




2.

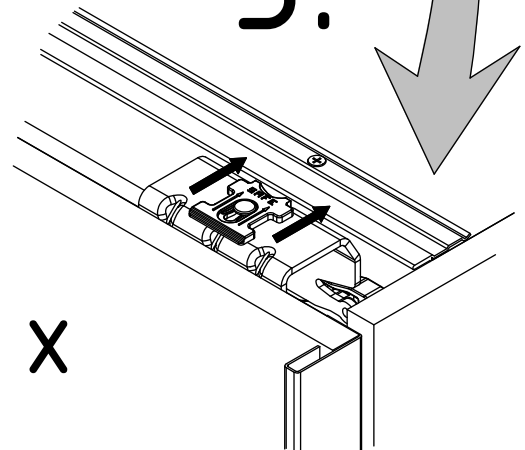


1.

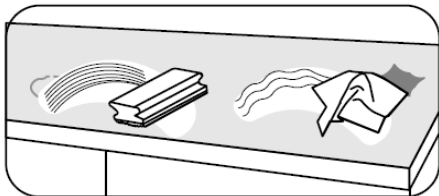
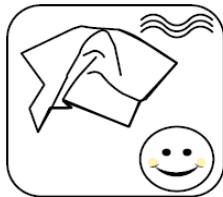
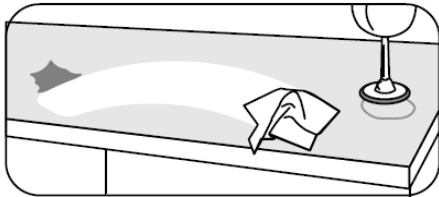
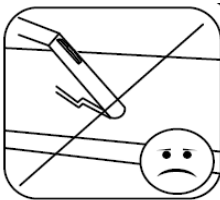
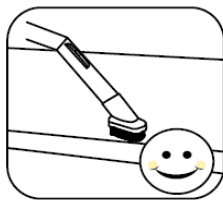
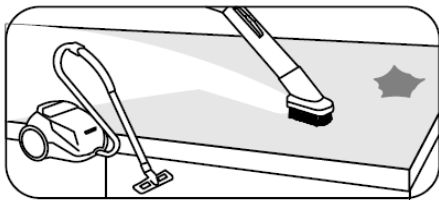
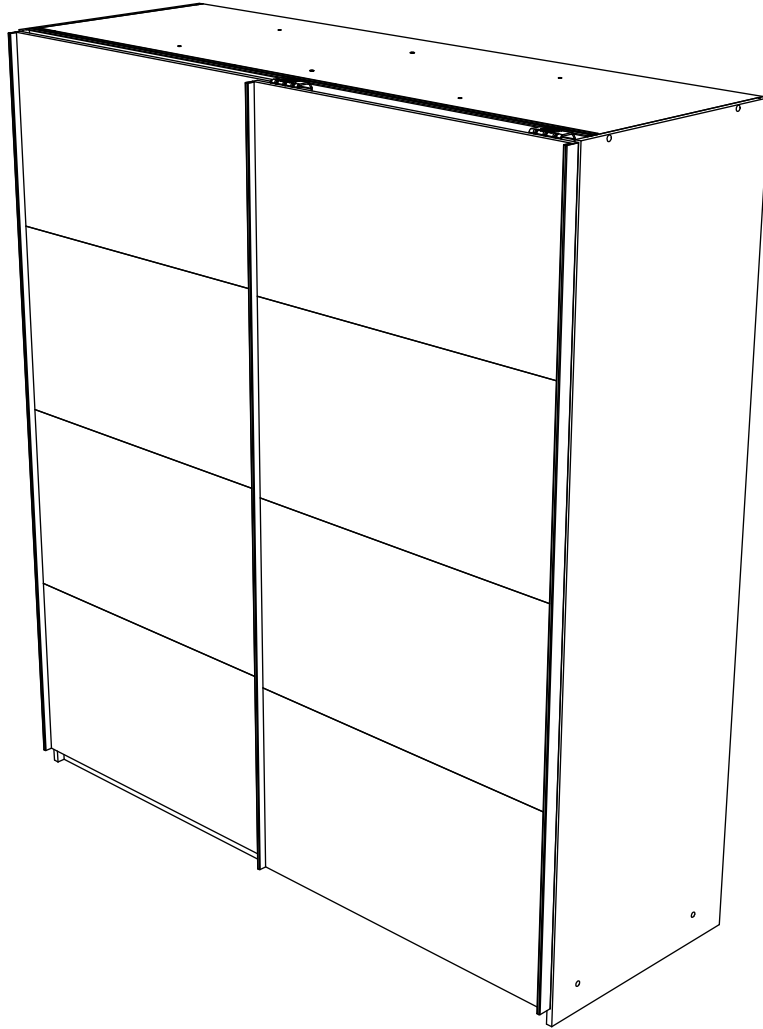


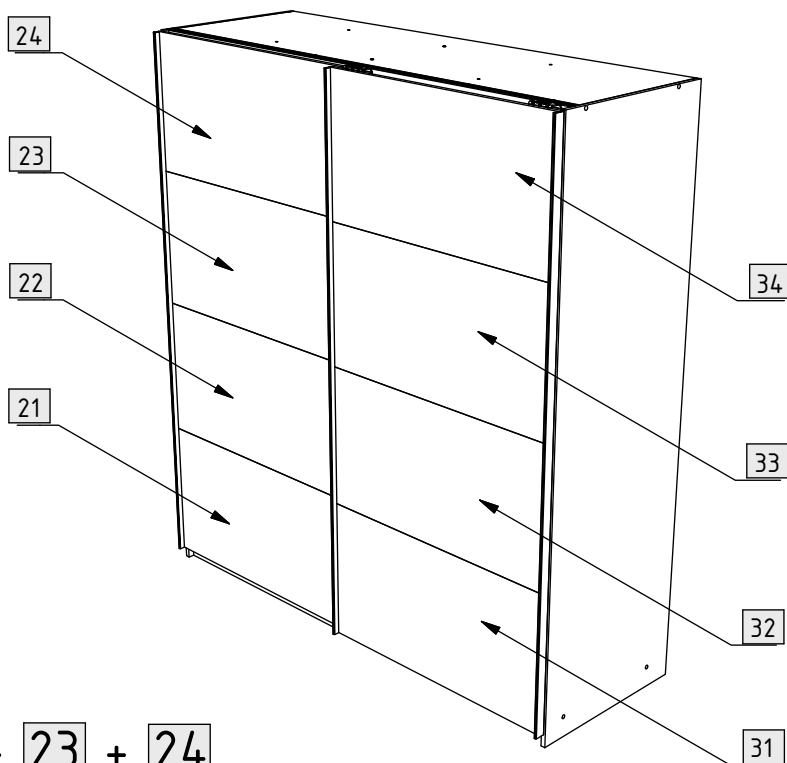
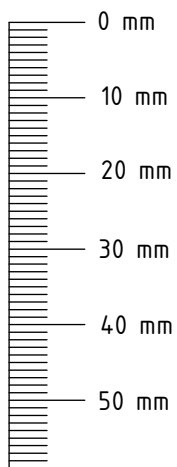
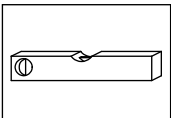
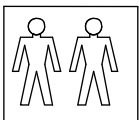
3.

2 x



2.



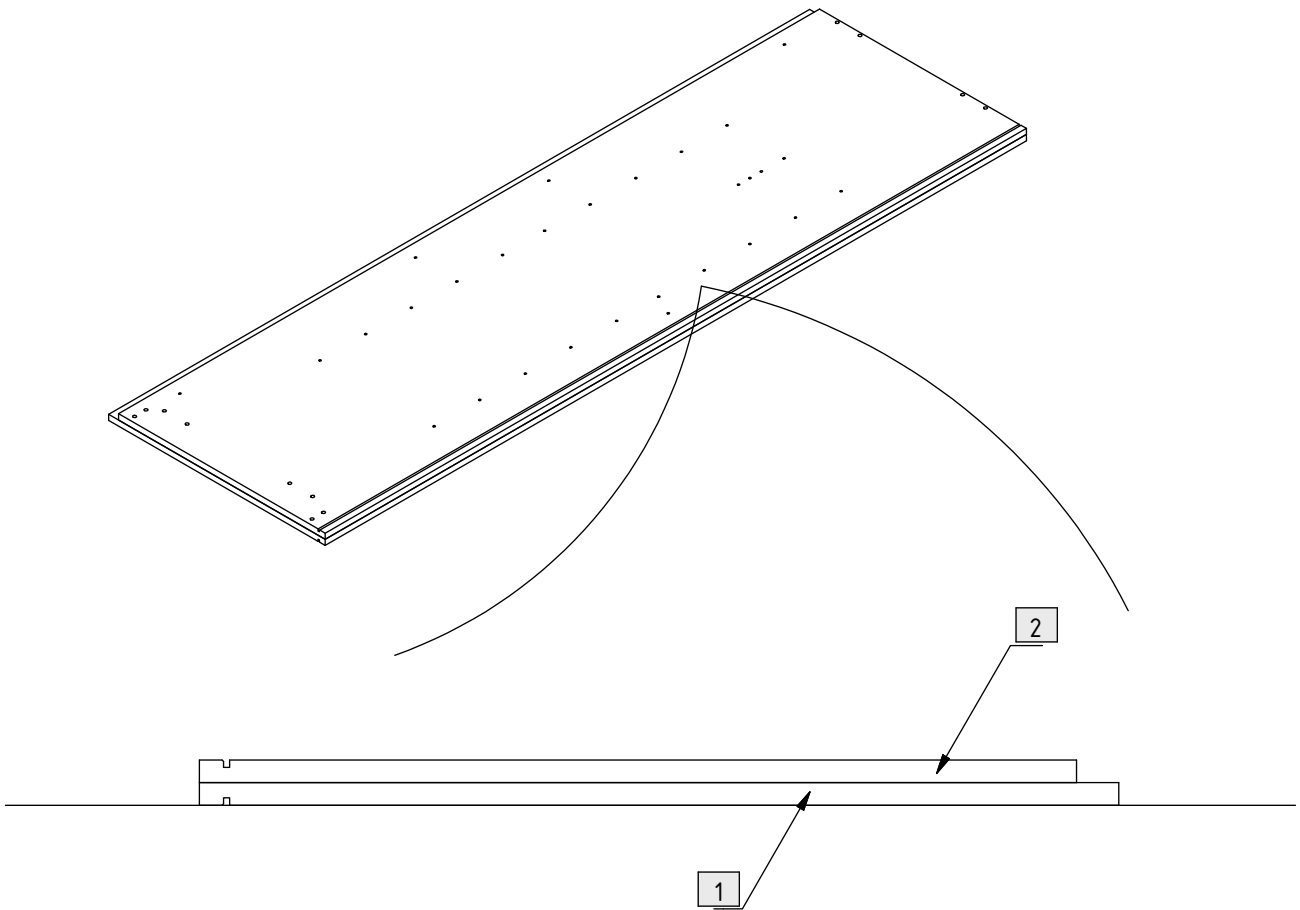
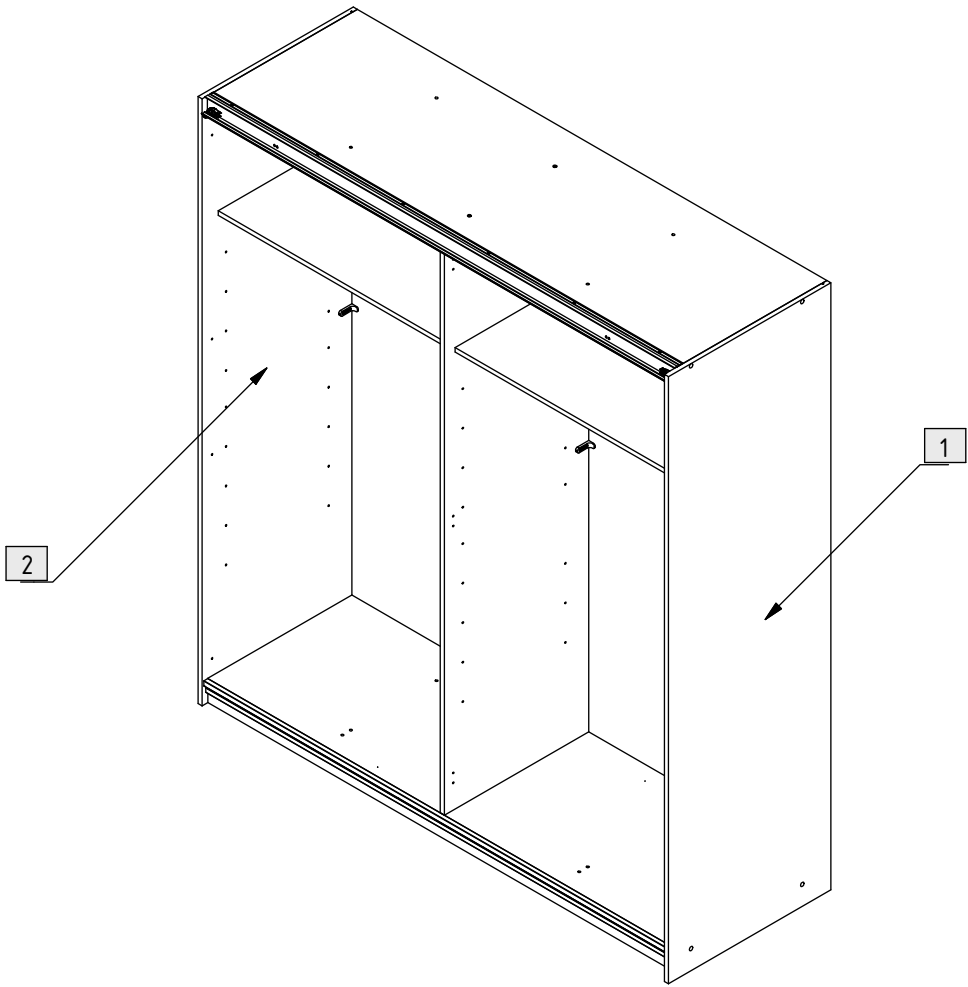


21 + 22 + 23 + 24

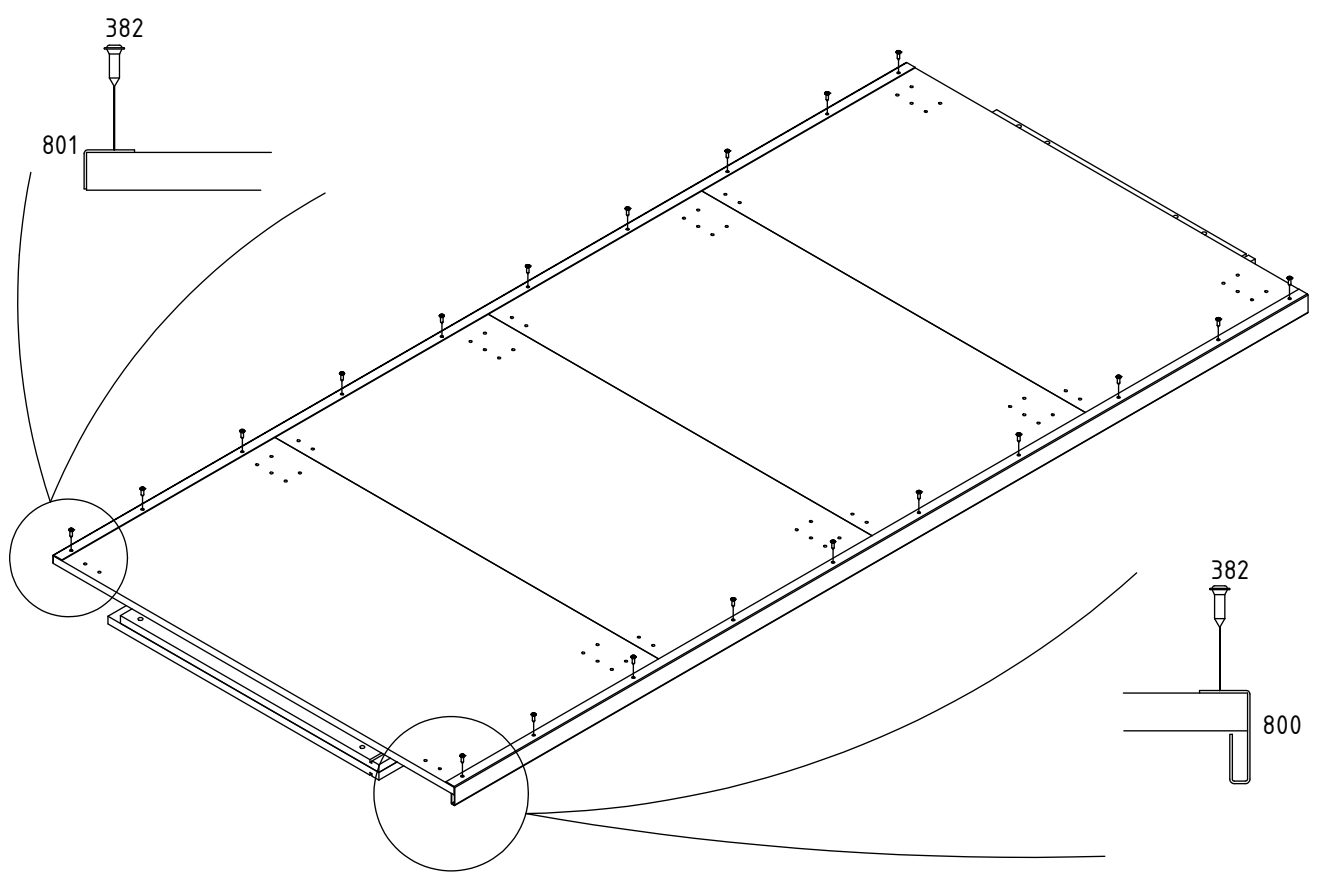
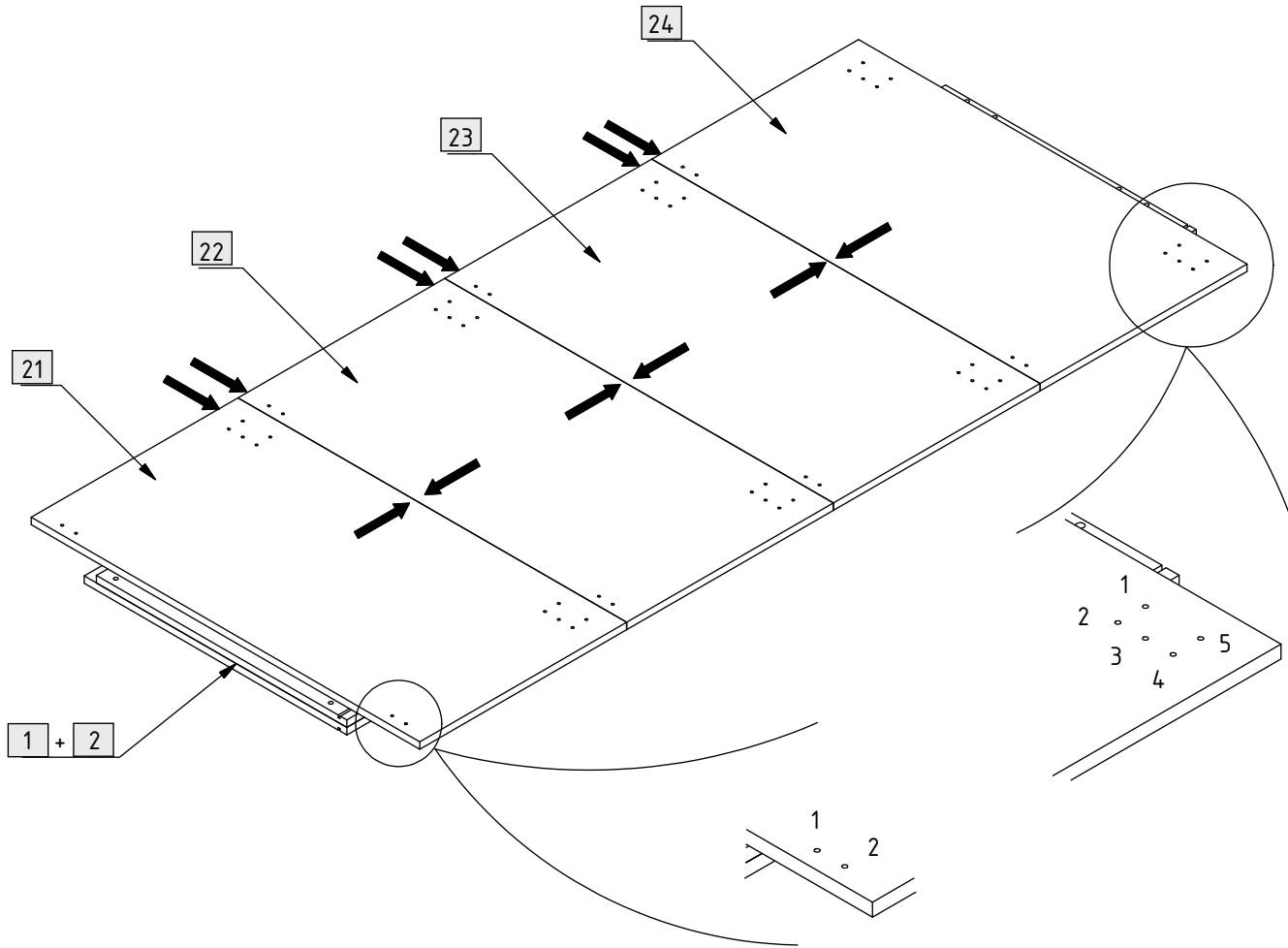
31 + 32 + 33 + 34

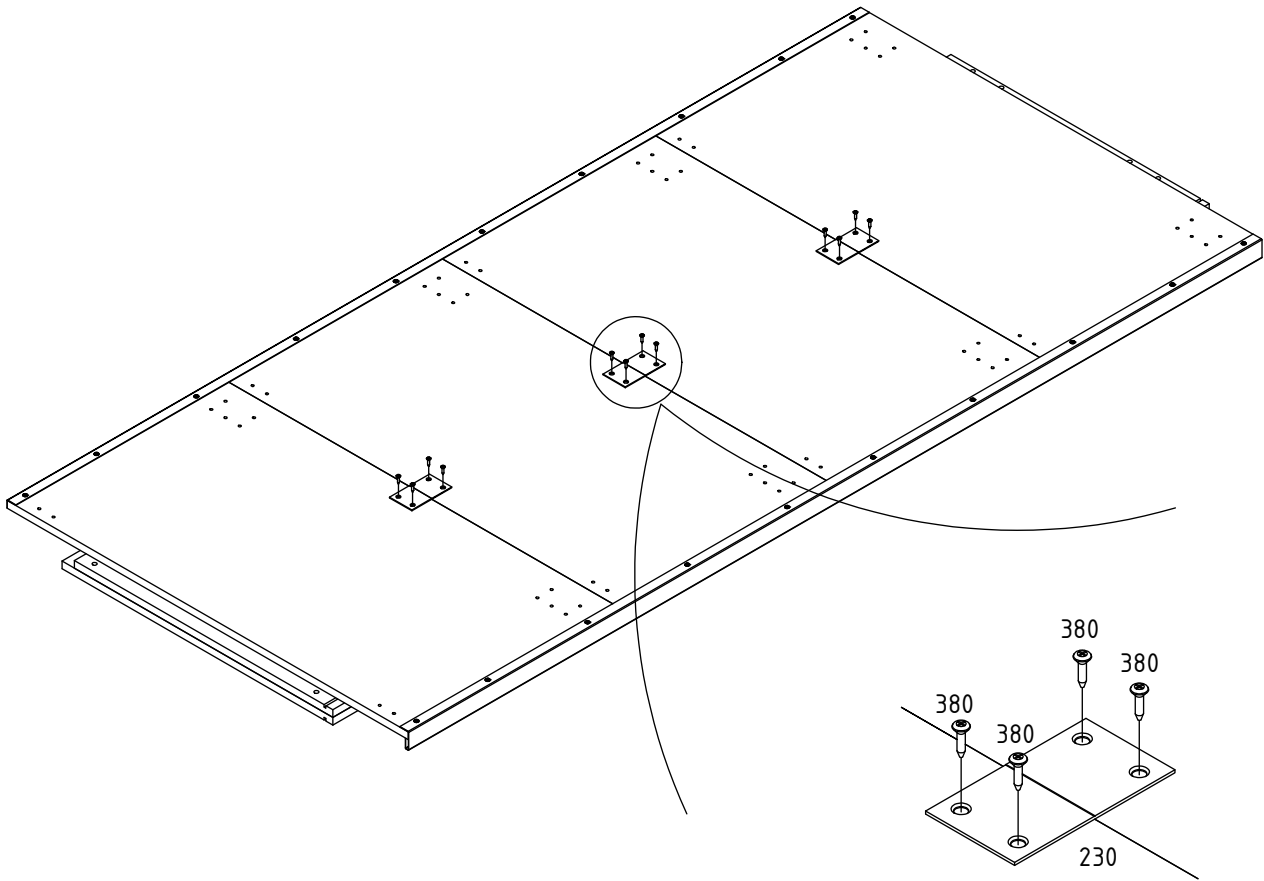
| | | | |
|-----|----|--|-------------|
| 230 | 3 | | 90 x 50 mm |
| 306 | 10 | | 6,3 x 10 mm |
| 380 | 12 | | 3,5 x 15 mm |
| 382 | 20 | | 4 x 15 mm |
| 800 | 1 | | L = 1915 mm |
| 801 | 1 | | L = 1915 mm |
| 804 | 2 | | |
| 805 | 1 | | |
| 806 | 1 | | |
| 807 | 1 | | |

| | | | |
|-----|----|--|-------------|
| 230 | 3 | | 90 x 50 mm |
| 306 | 14 | | 6,3 x 10 mm |
| 380 | 12 | | 3,5 x 15 mm |
| 382 | 20 | | 4 x 15 mm |
| 800 | 2 | | L = 1915 mm |
| 802 | 2 | | |
| 803 | 2 | | |

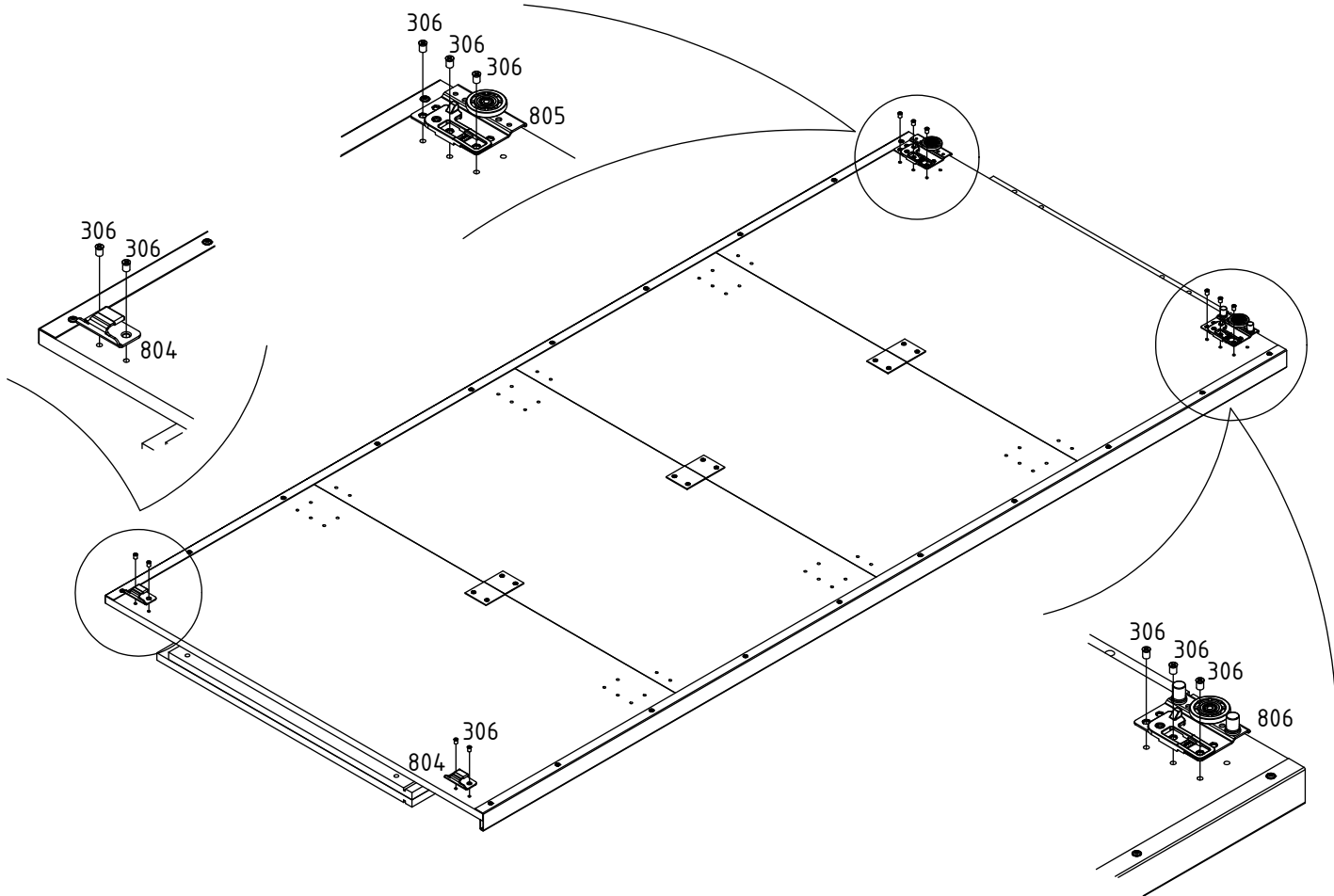


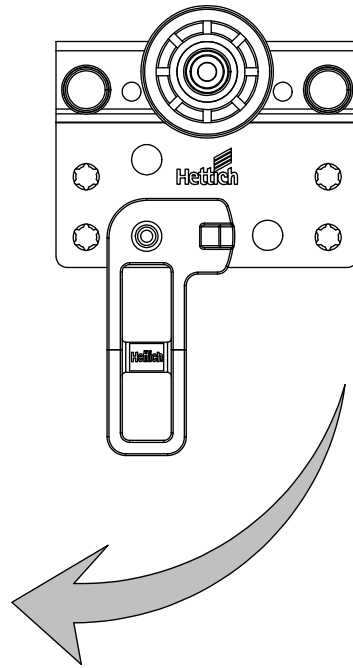
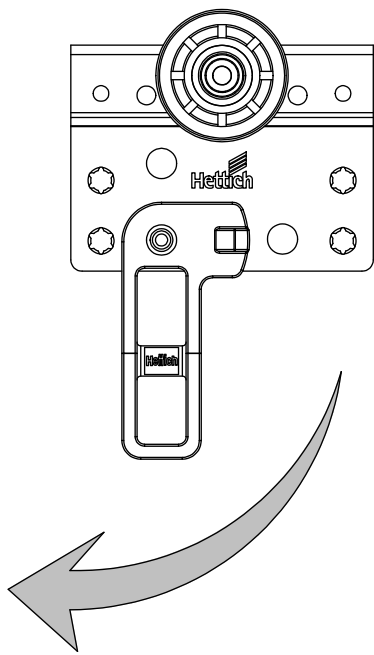
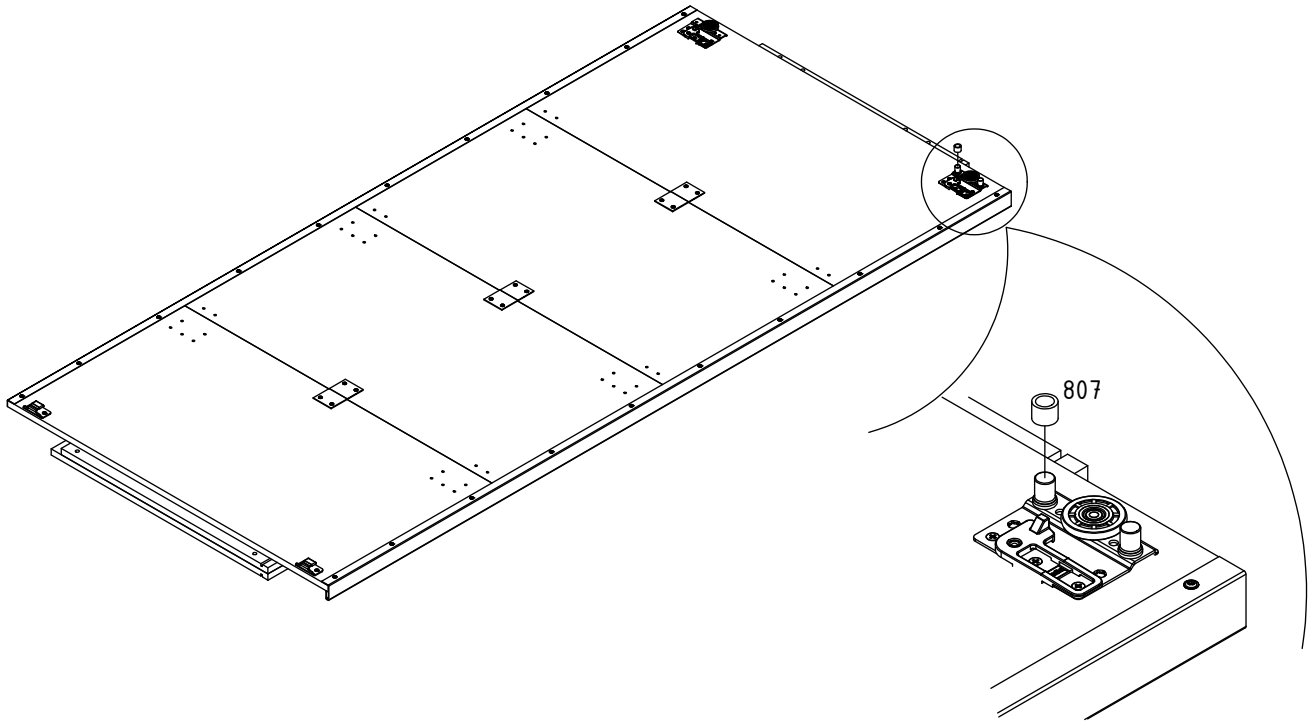
21 + 22 + 23 + 24

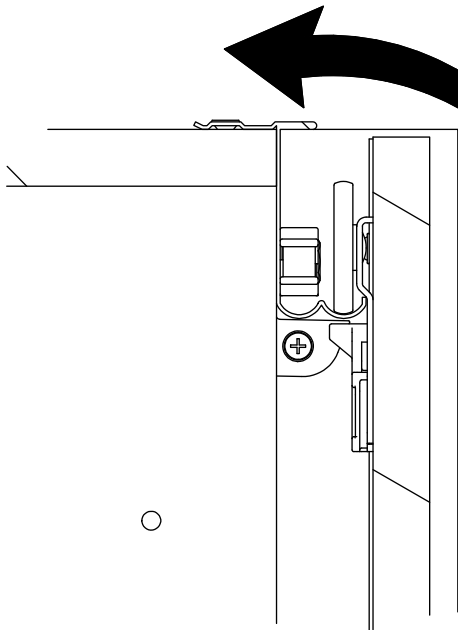
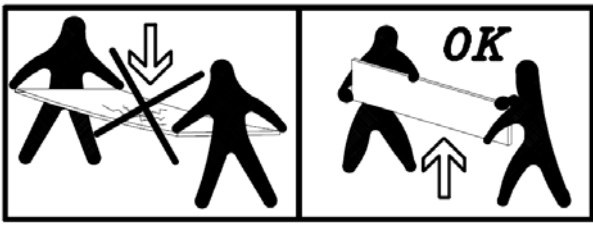




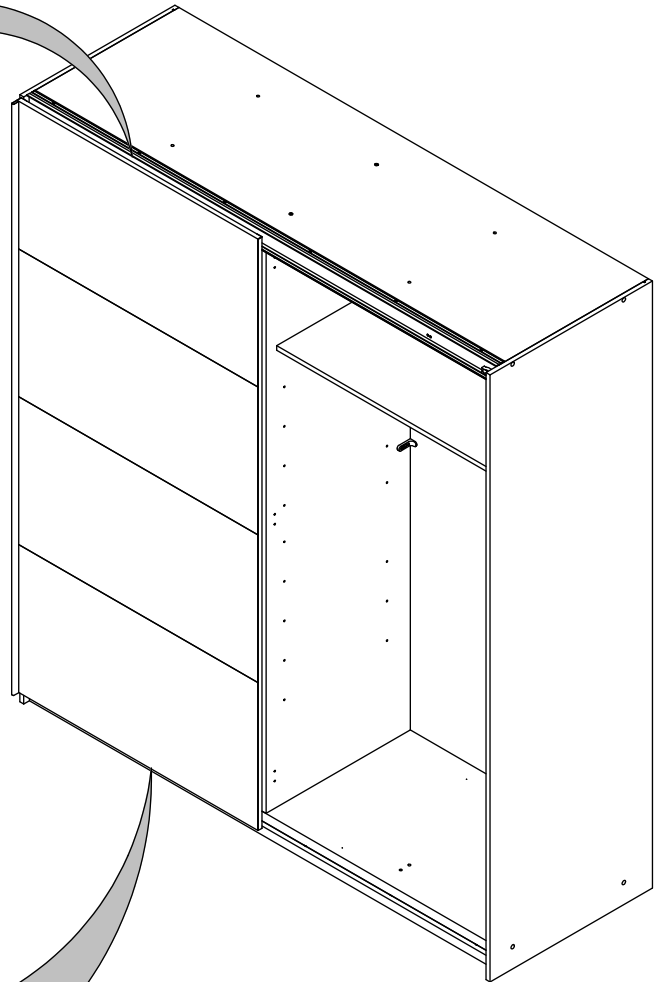
3x



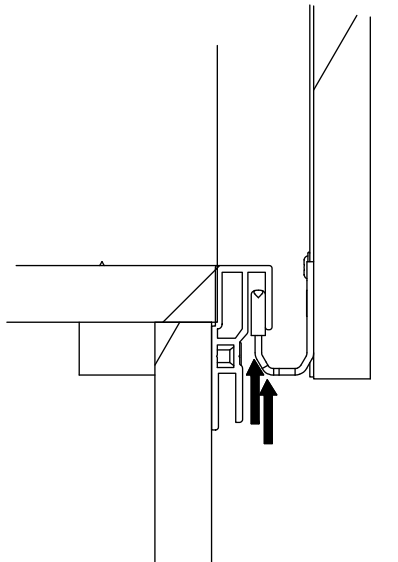




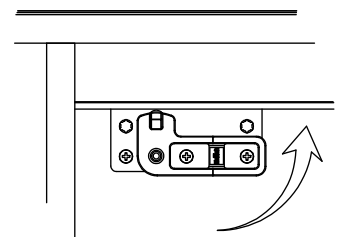
2.



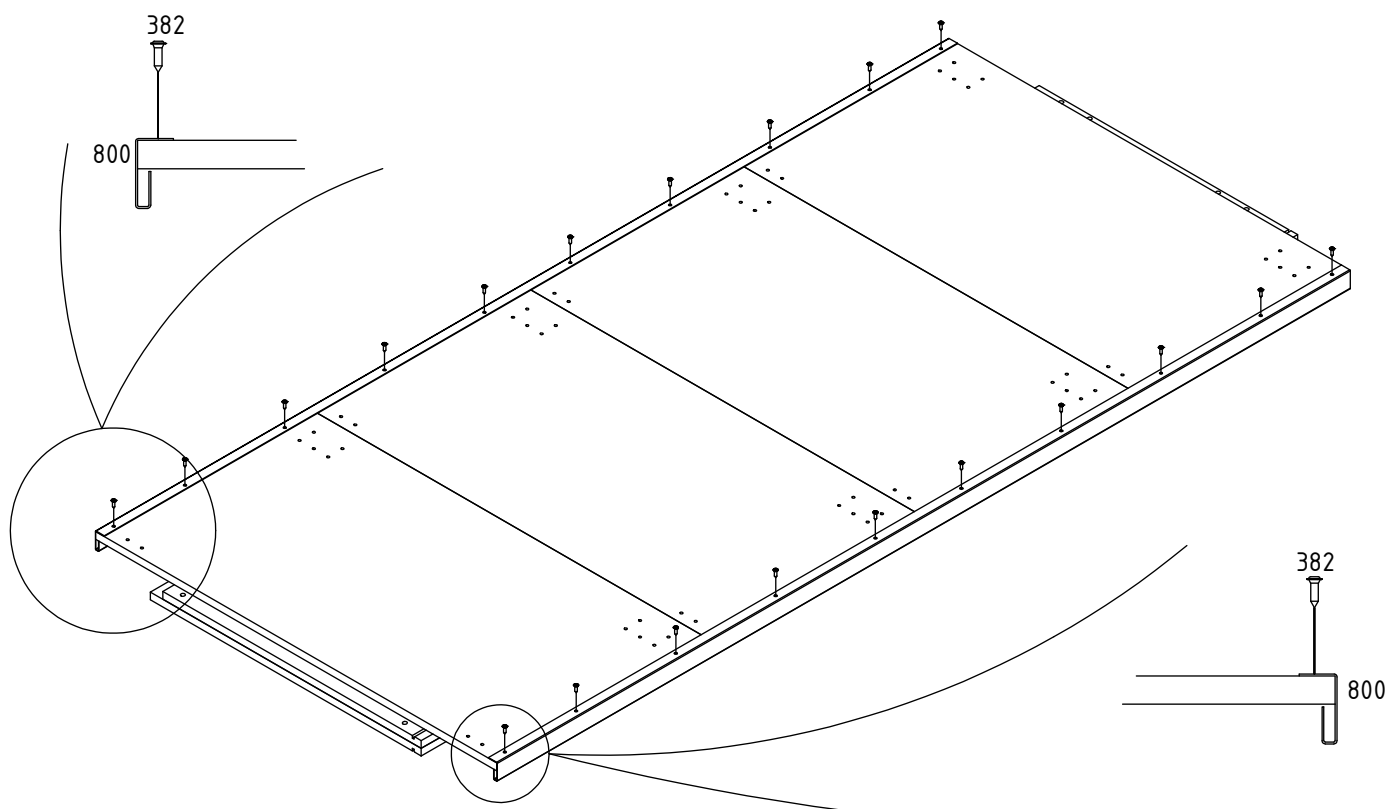
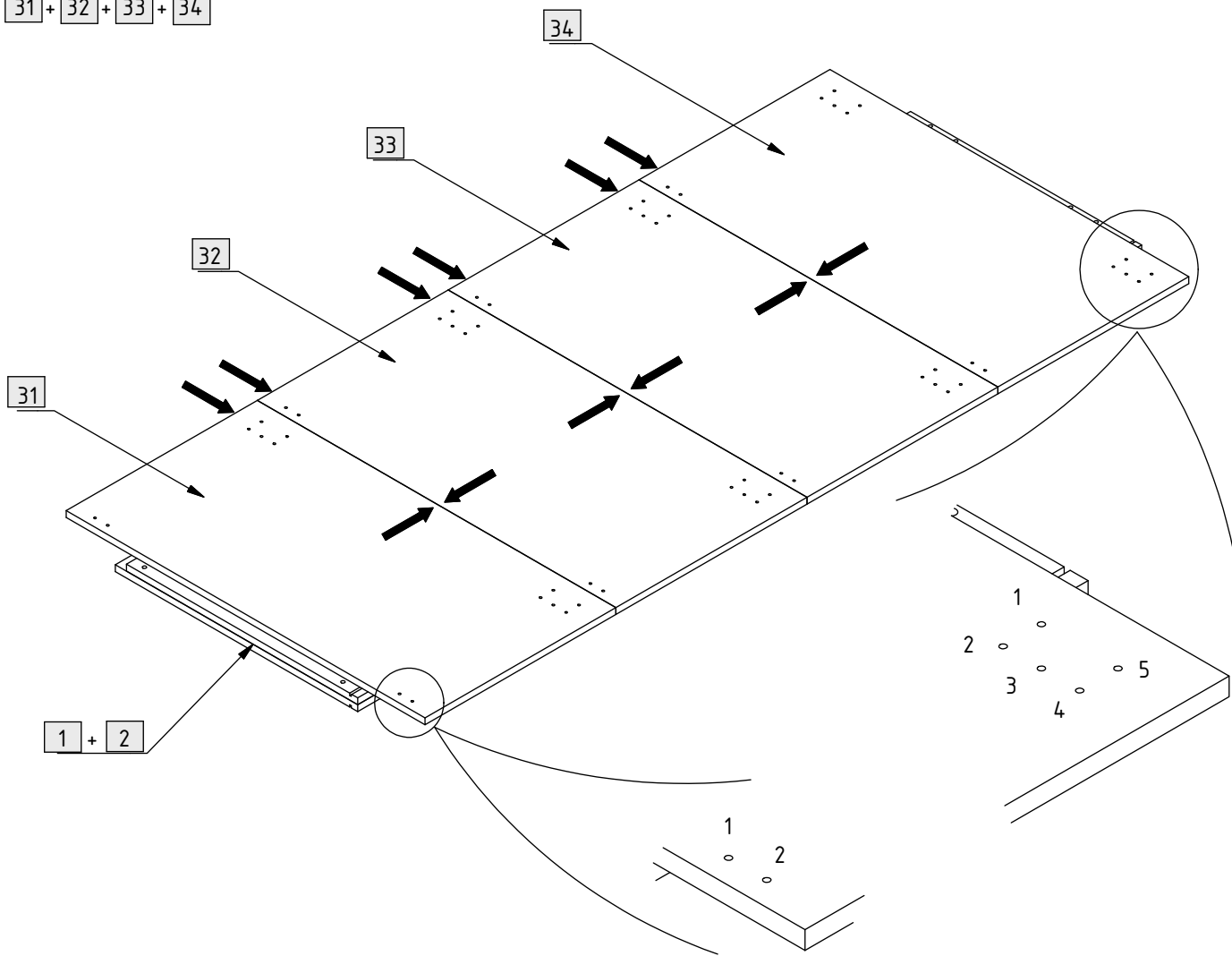
1.

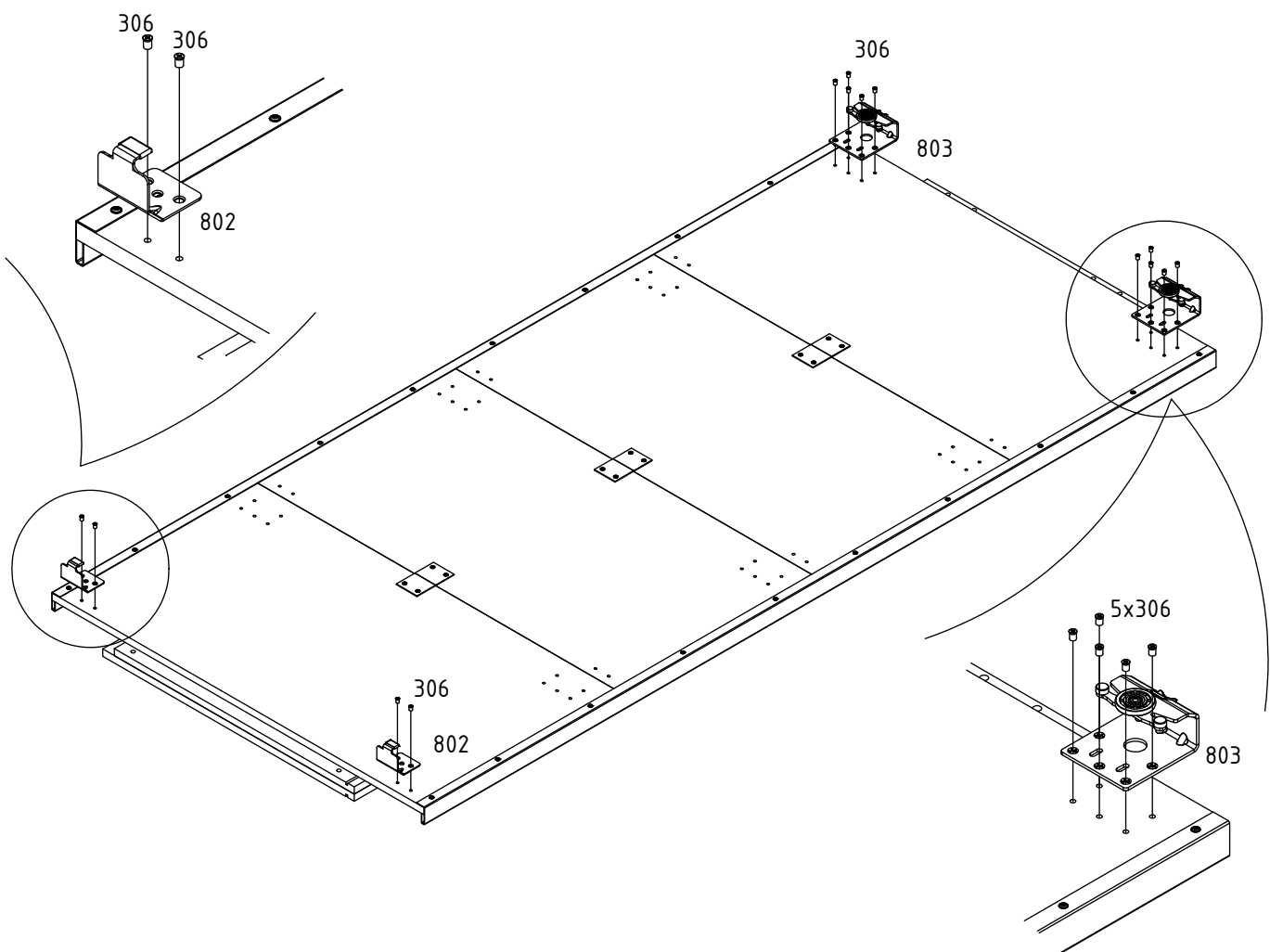
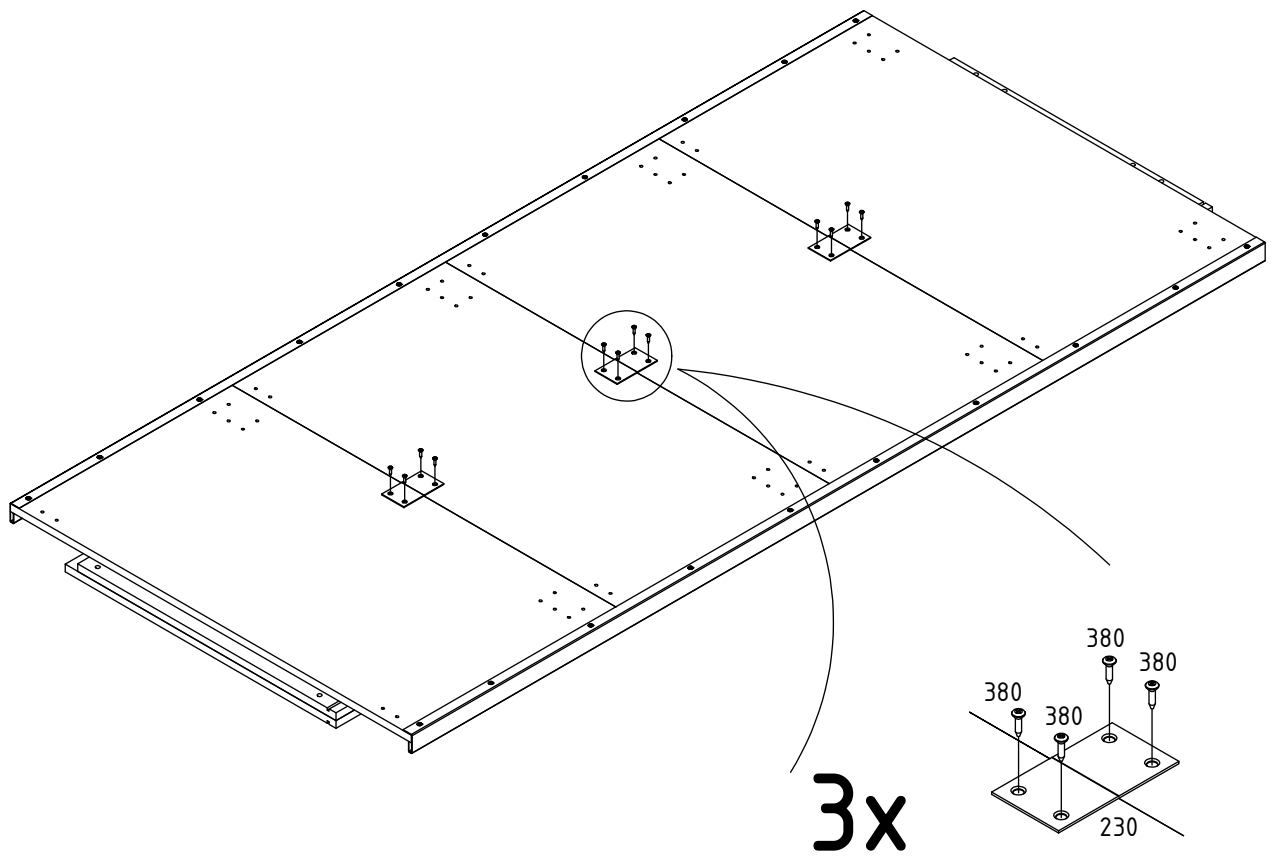


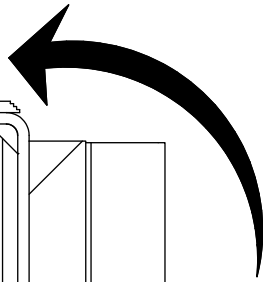
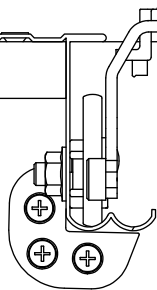
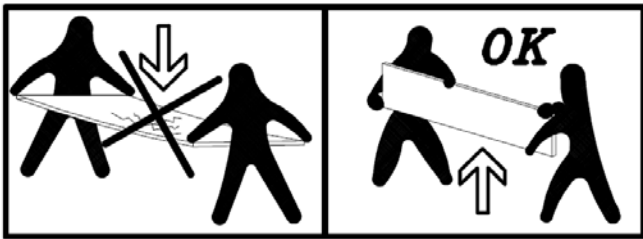
3.



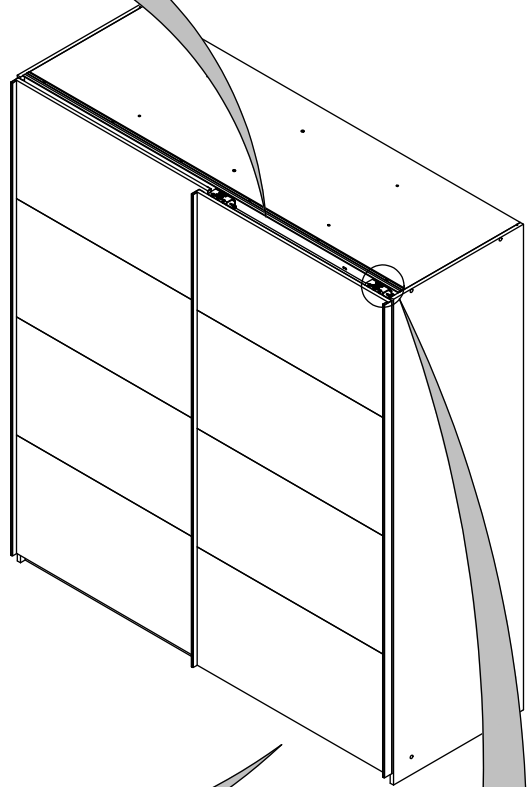
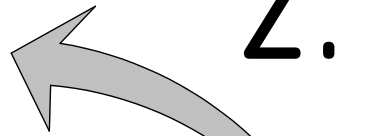
31 + 32 + 33 + 34



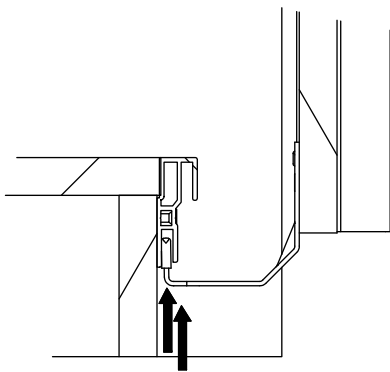
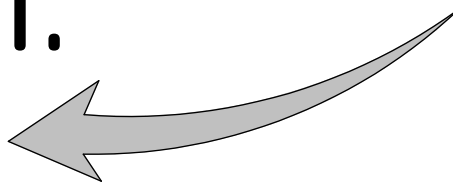




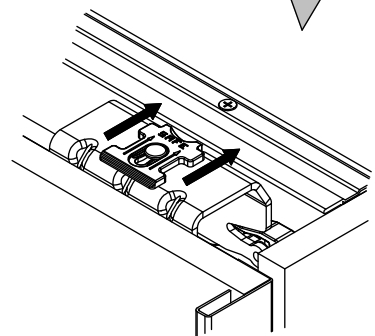
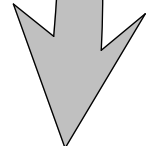
2.



1.

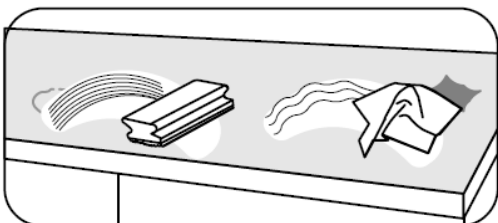
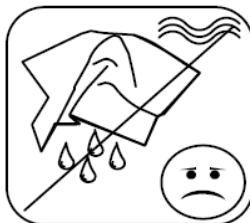
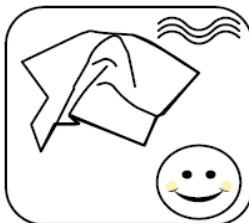
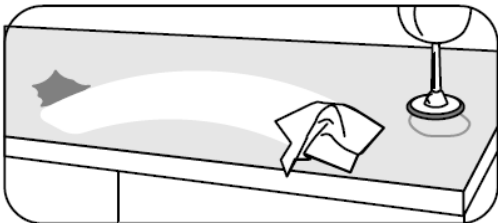
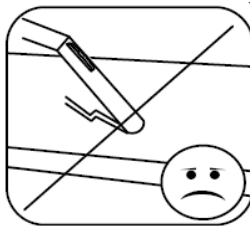
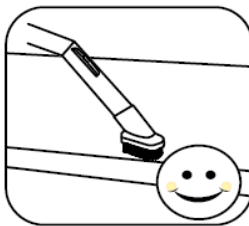
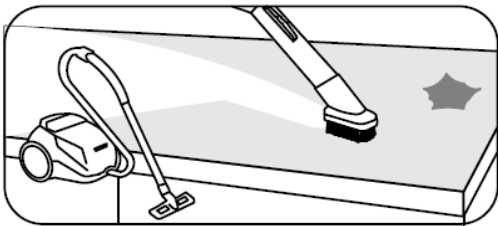
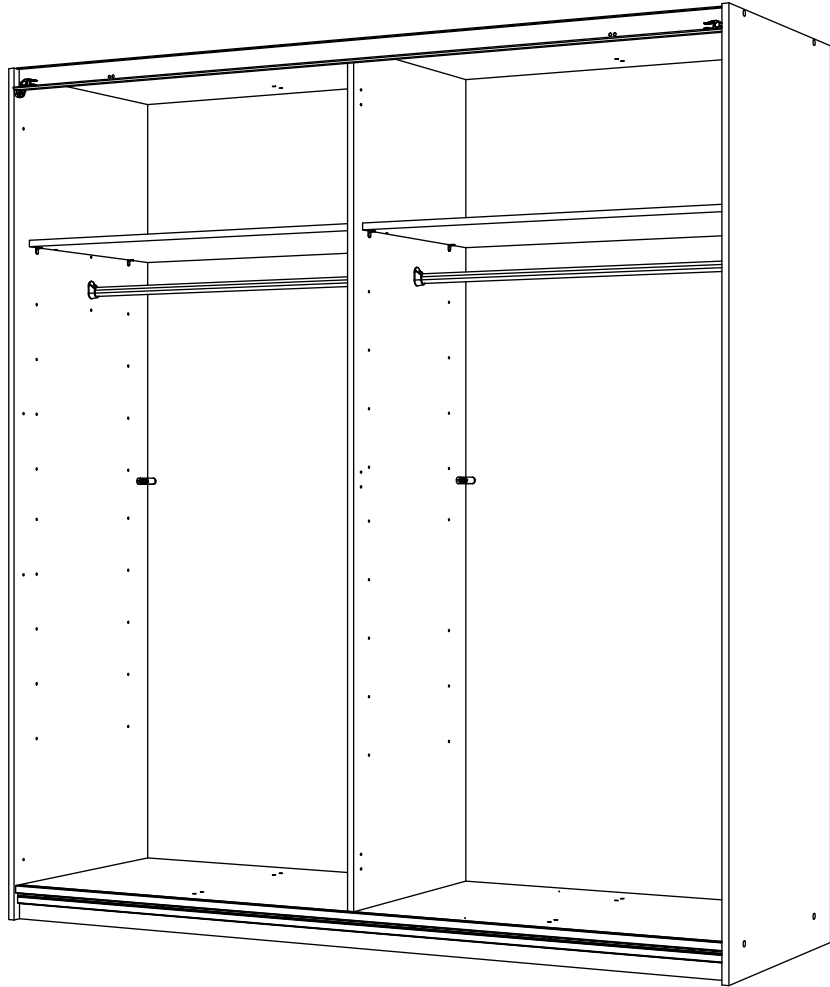


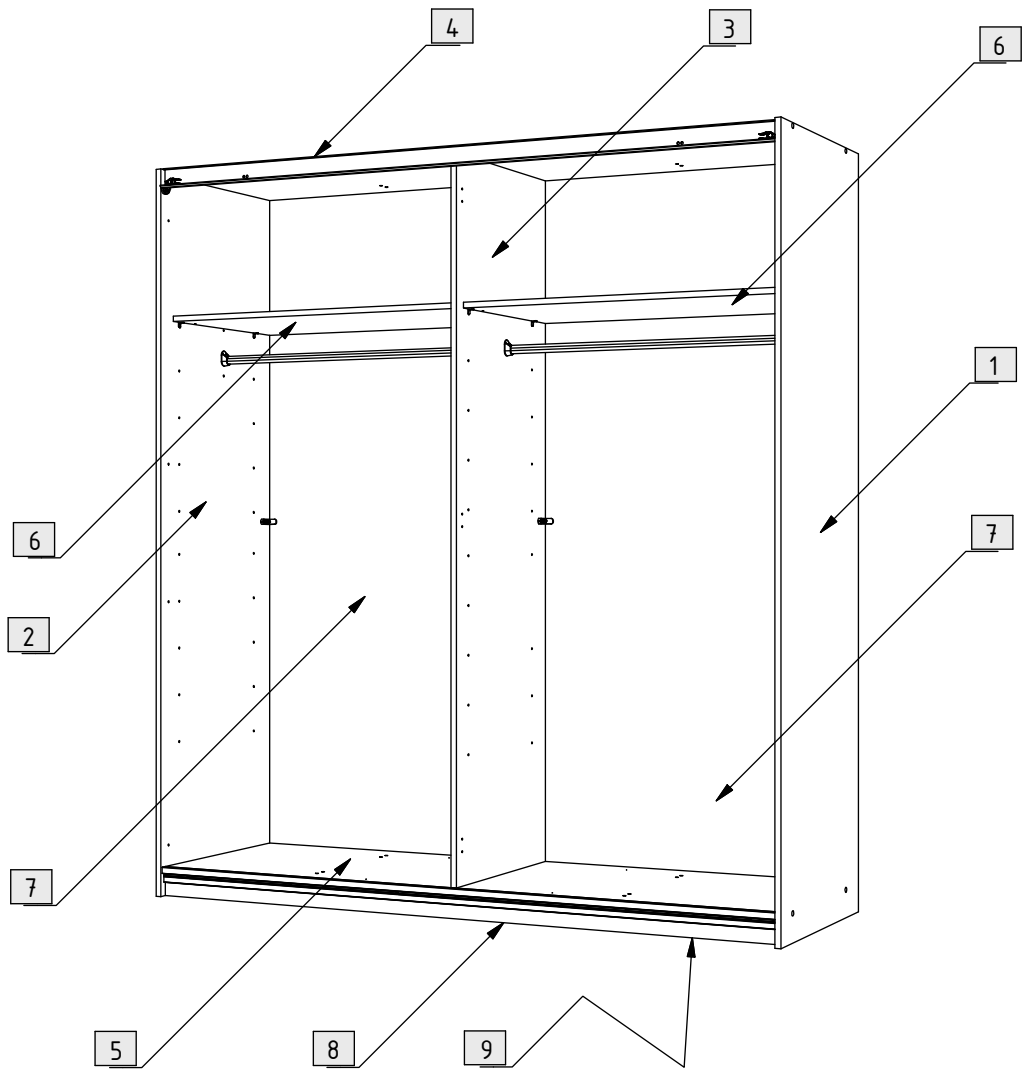
3.

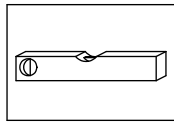
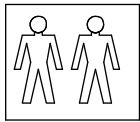


2x

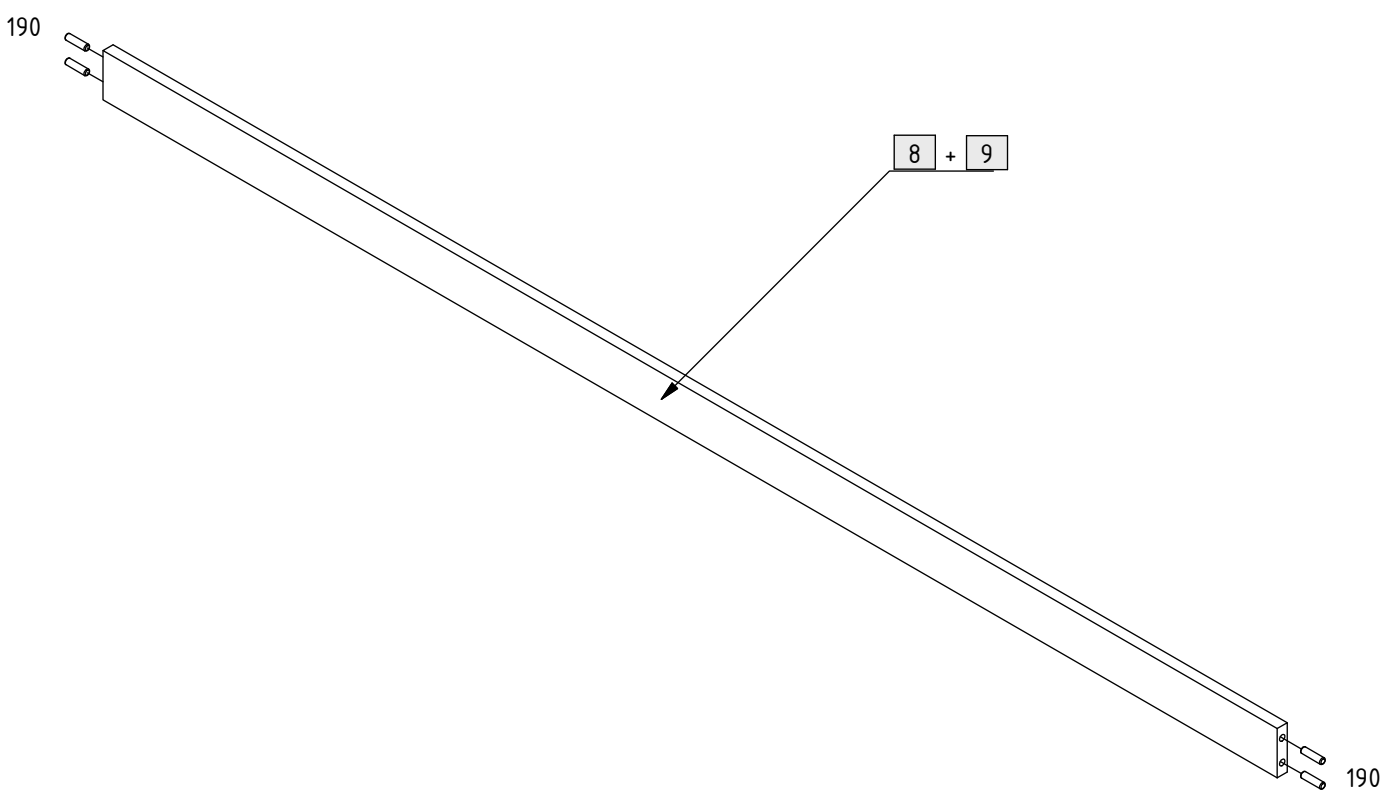
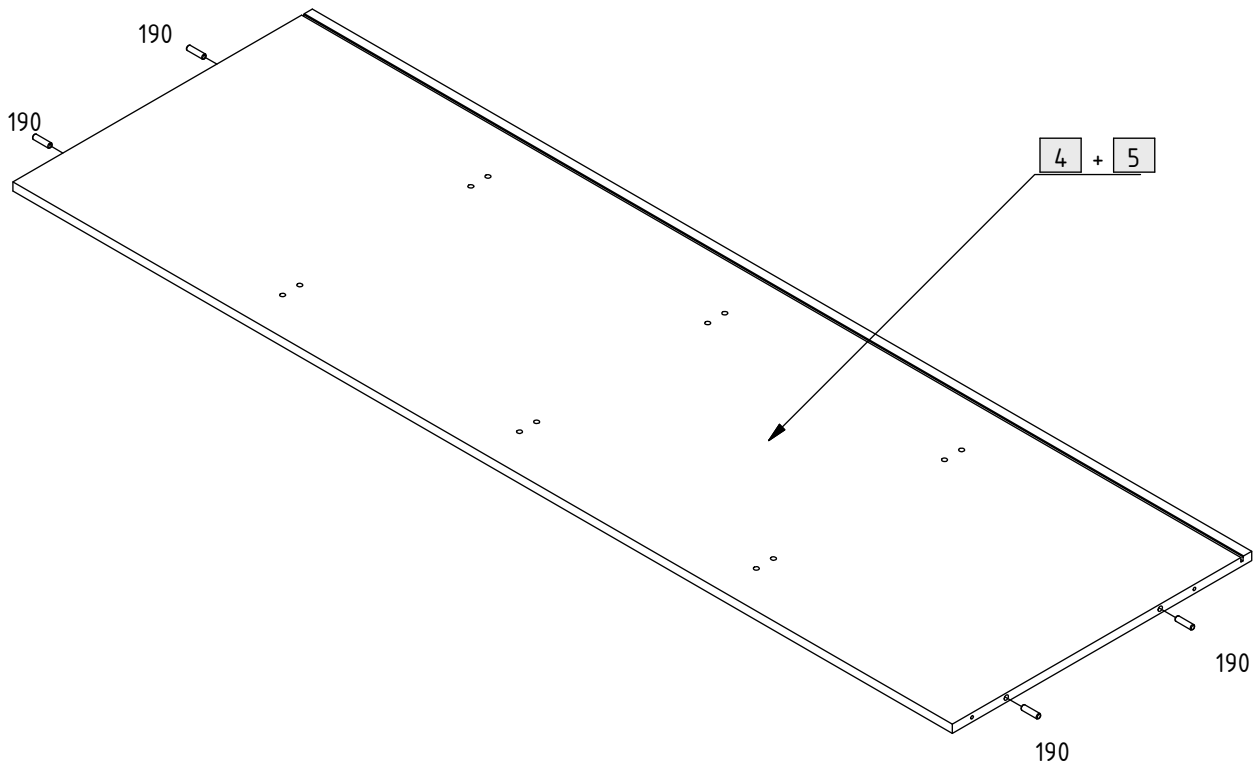
3.

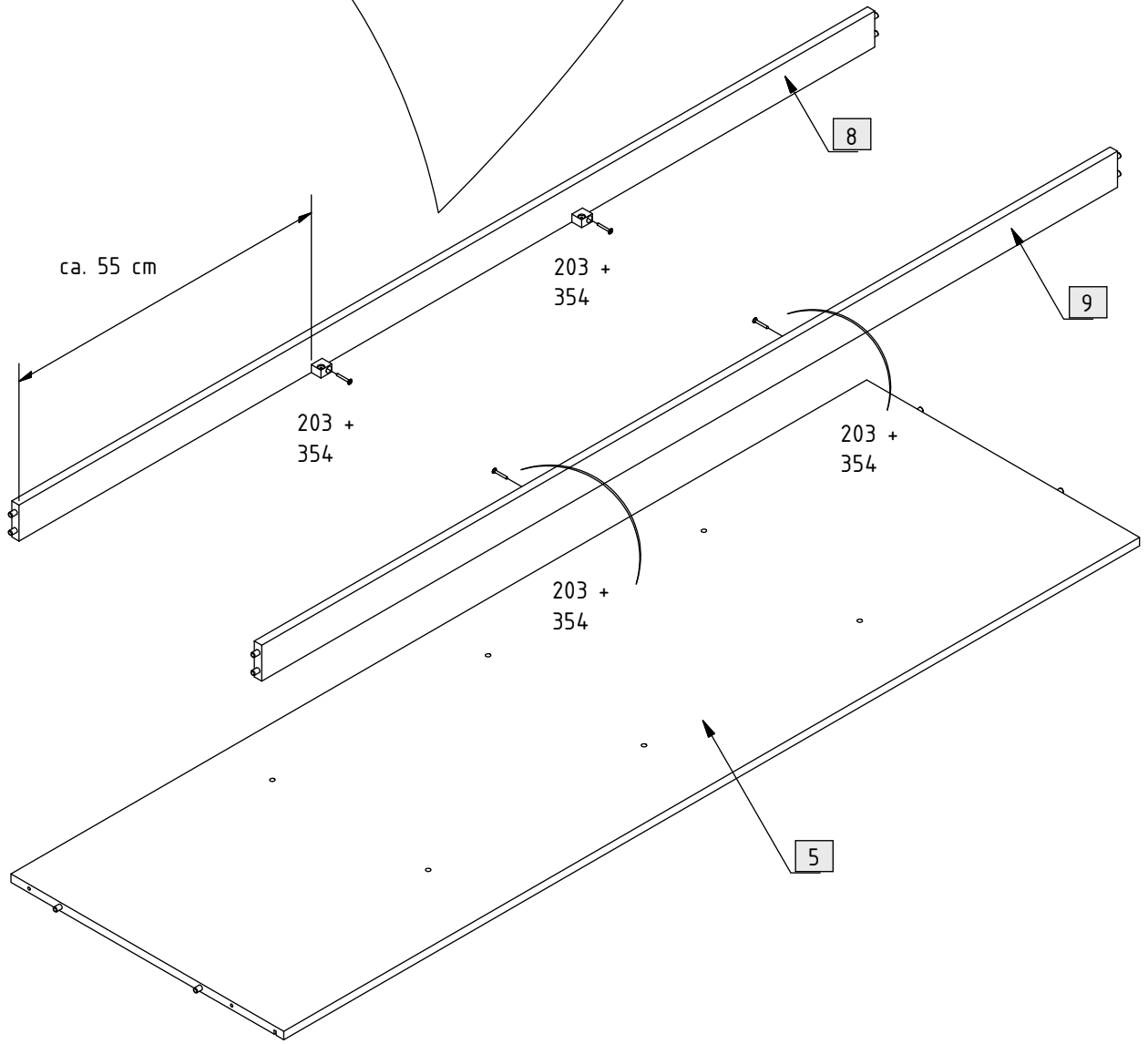
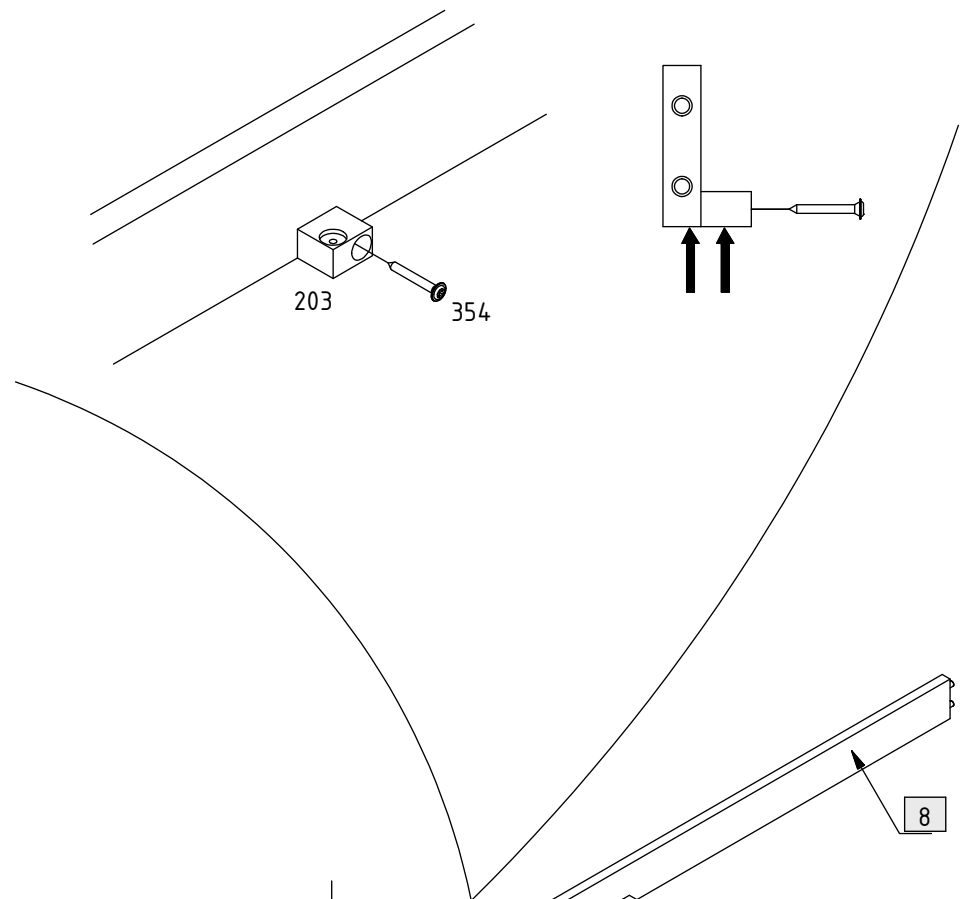


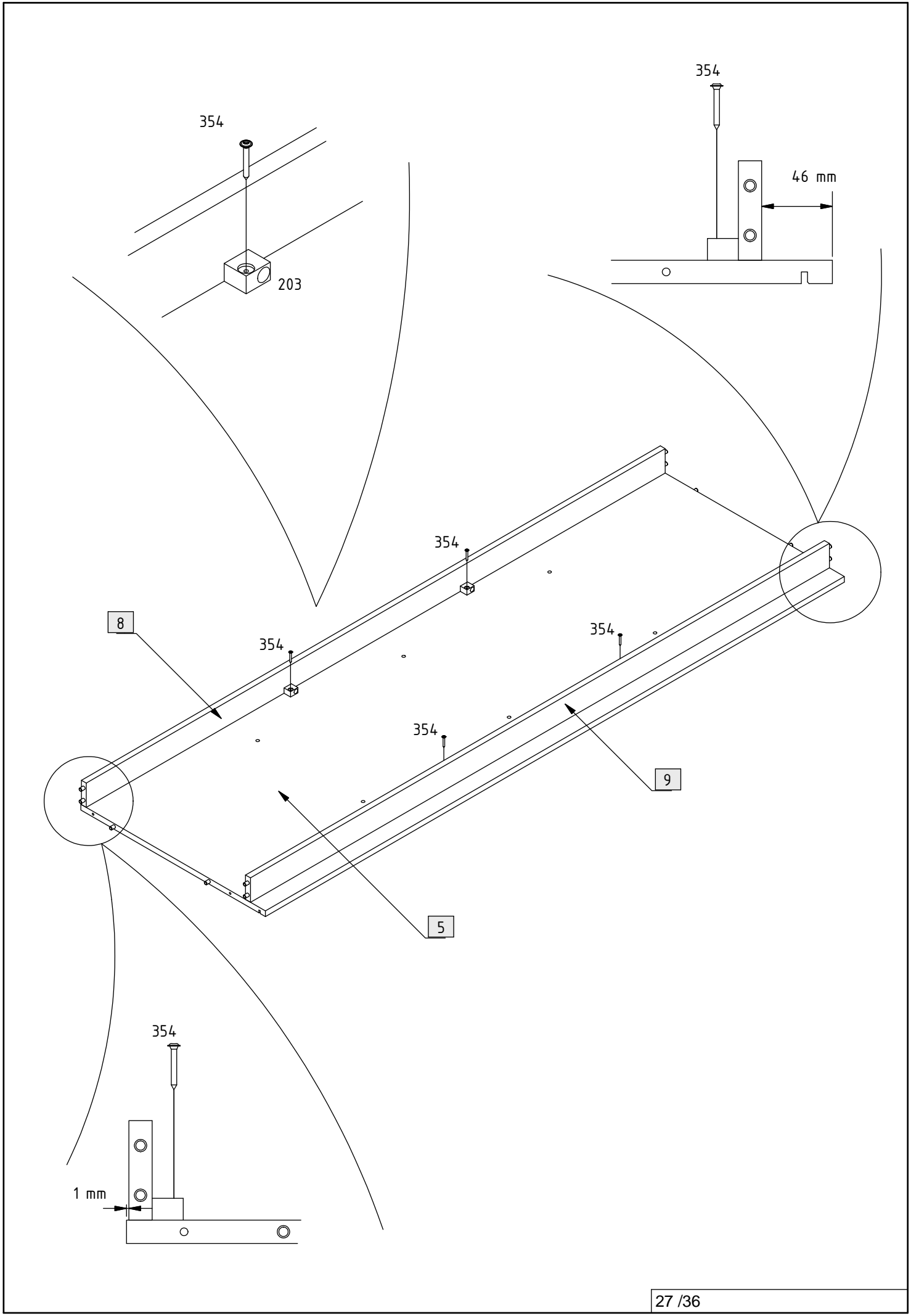


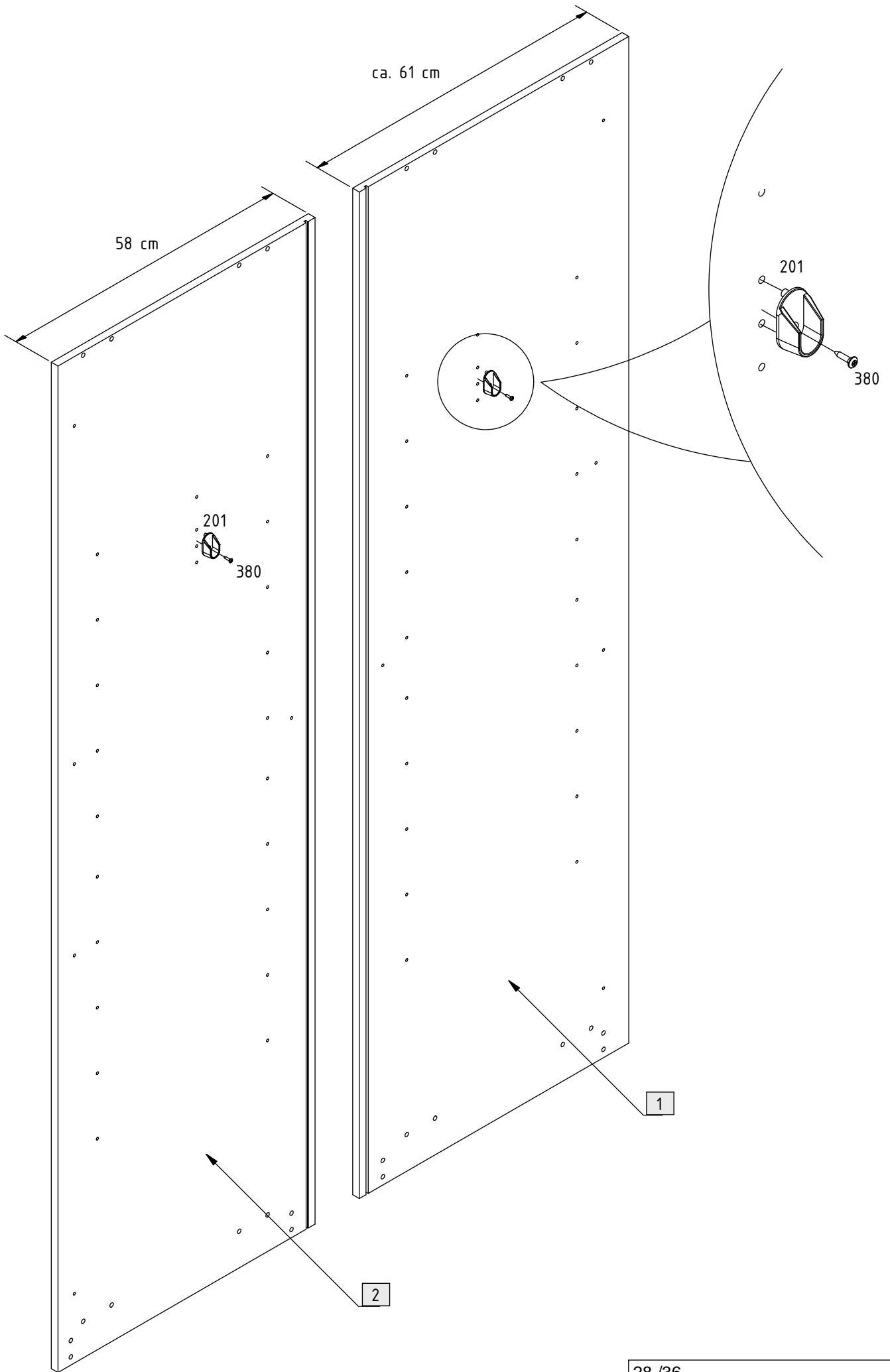


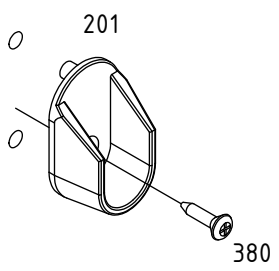
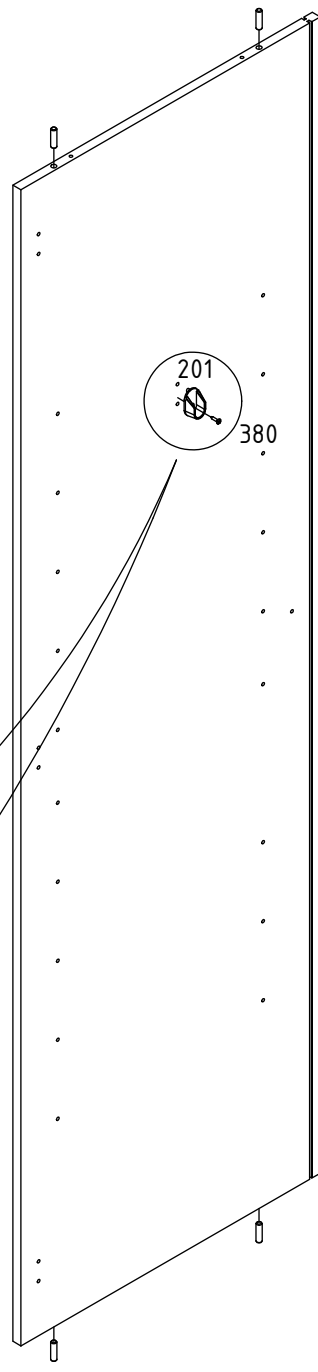
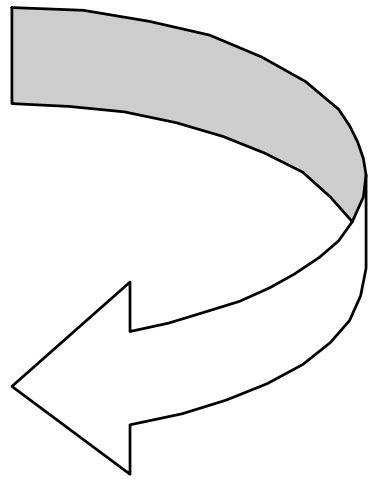
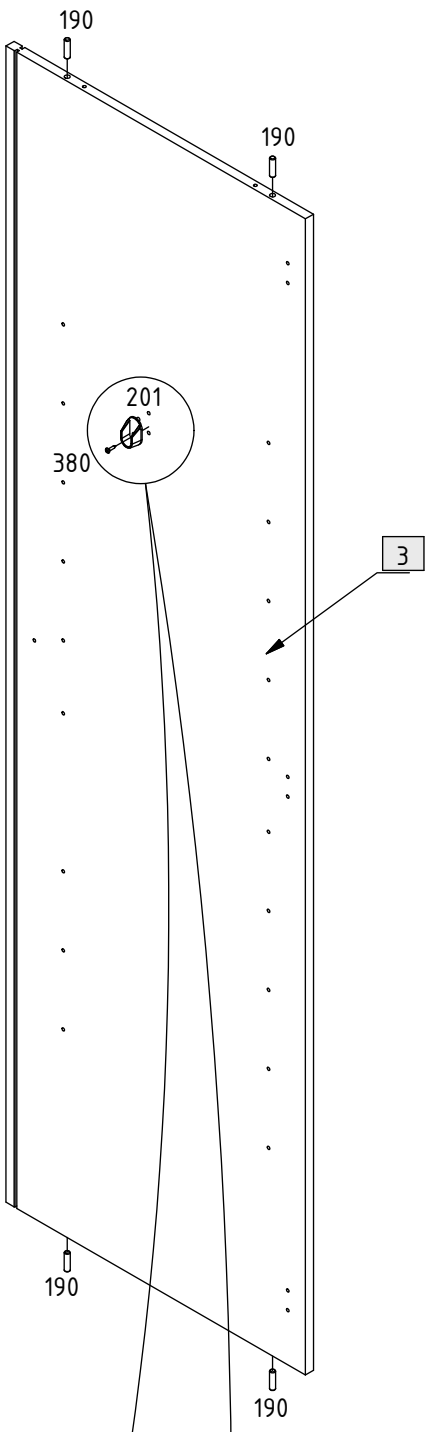
| | | | | | | | |
|-----|----|--|-------------|-----|---|--|-------------|
| 102 | 8 | | | 746 | 2 | | L = 865 mm |
| 181 | 8 | | | 792 | 1 | | L = 1756 mm |
| 190 | 20 | | Ø8 x 30 mm | 794 | 1 | | L = 1756 mm |
| 201 | 4 | | | 795 | 2 | | |
| 203 | 4 | | | 796 | 2 | | |
| 220 | 8 | | | 797 | 2 | | |
| 221 | 4 | | | 798 | 2 | | |
| 303 | 4 | | 3 x 10 mm | | | | |
| 320 | 10 | | 6 x 50 mm | | | | |
| 354 | 8 | | 3,5 x 25 mm | | | | |
| 380 | 20 | | 3,5 x 15 mm | | | | |
| 381 | 6 | | 3,5 x 20 mm | | | | |

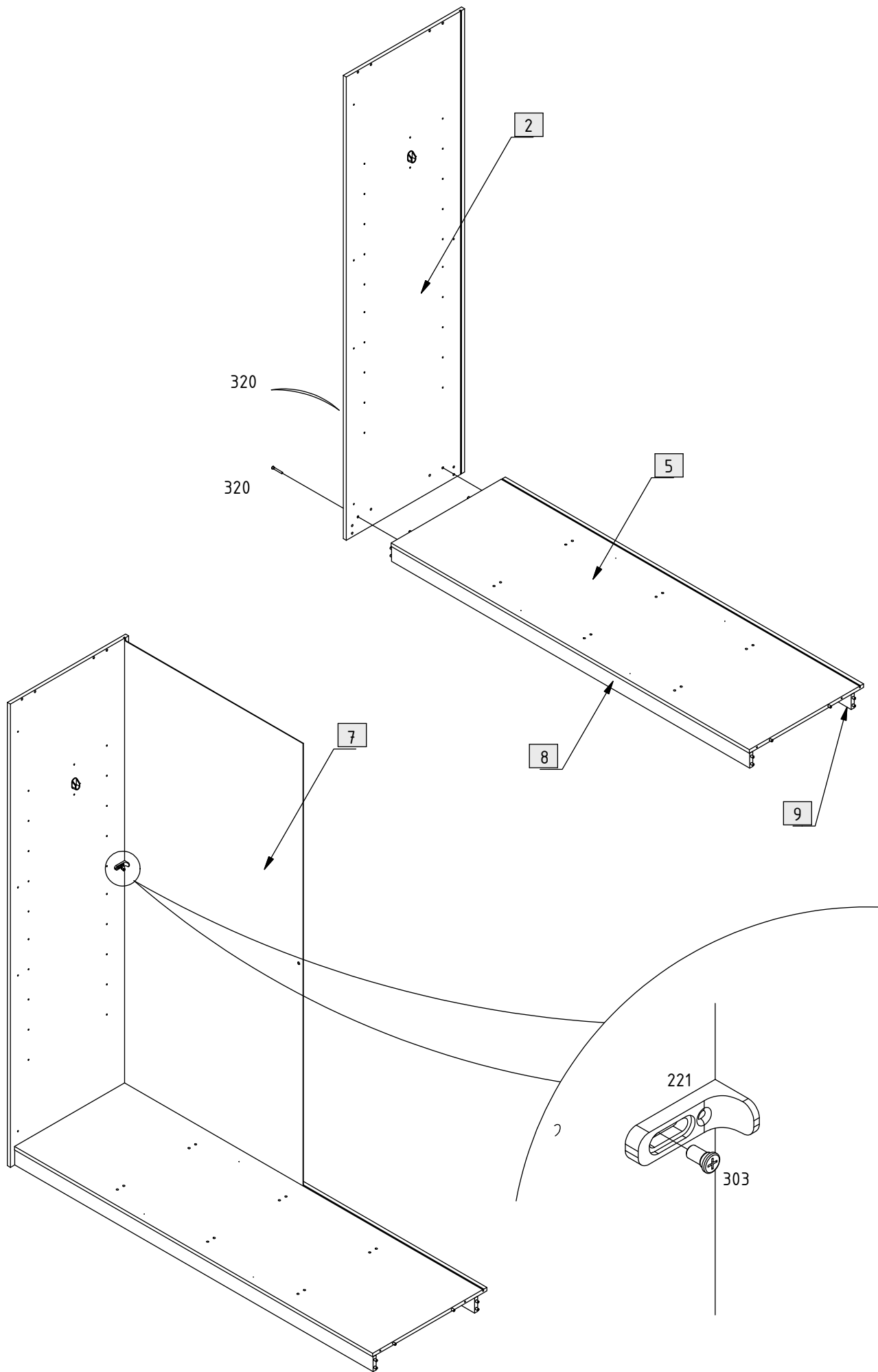


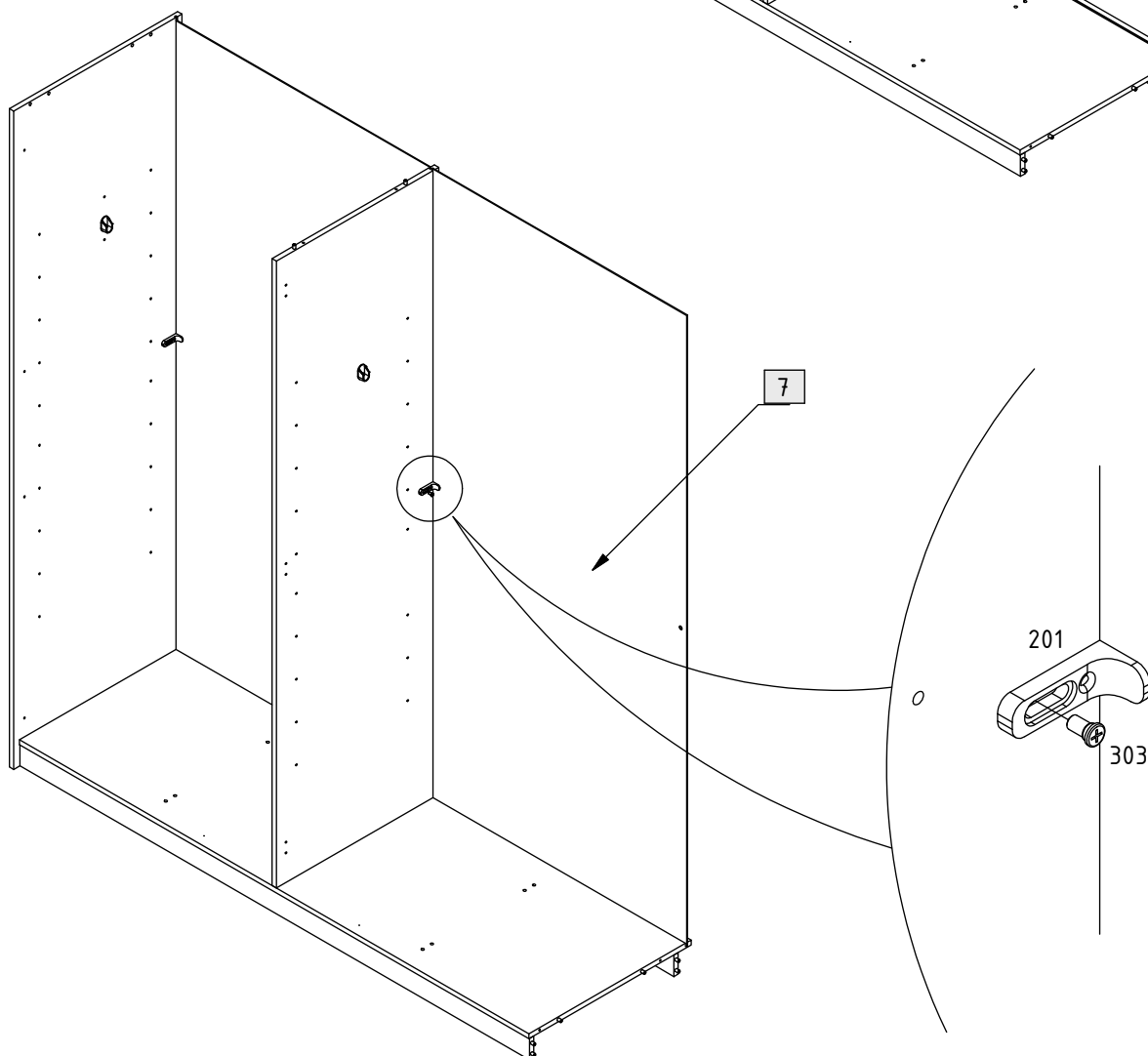
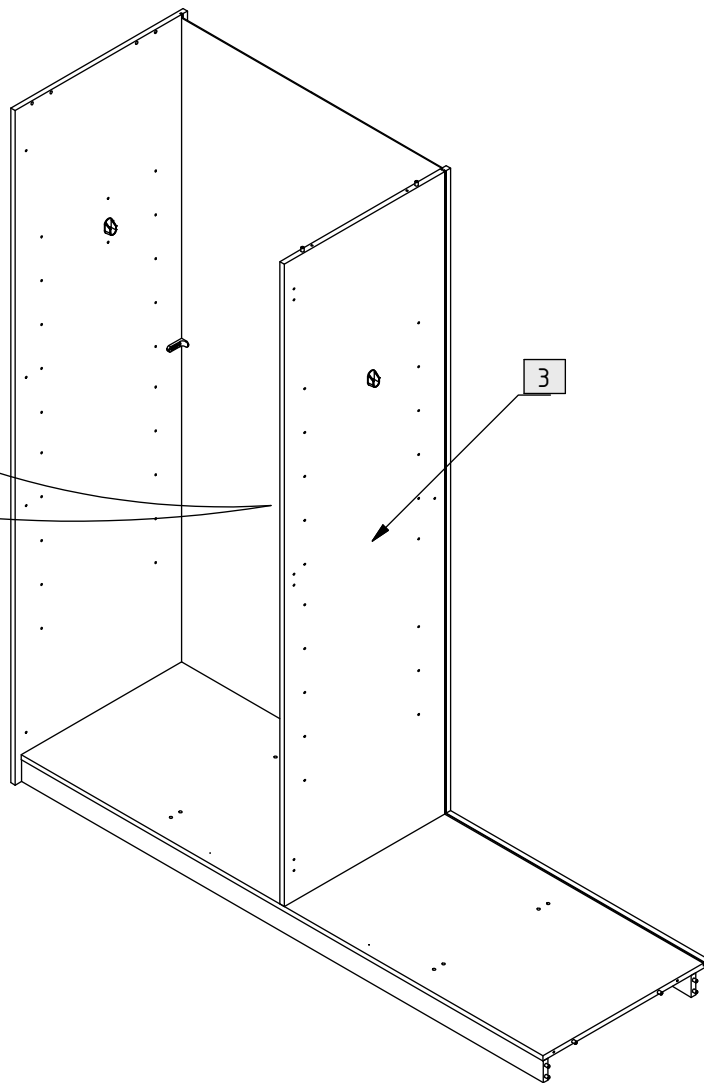
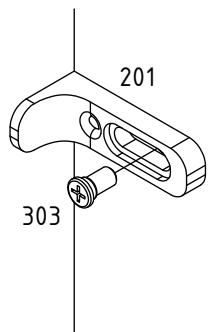


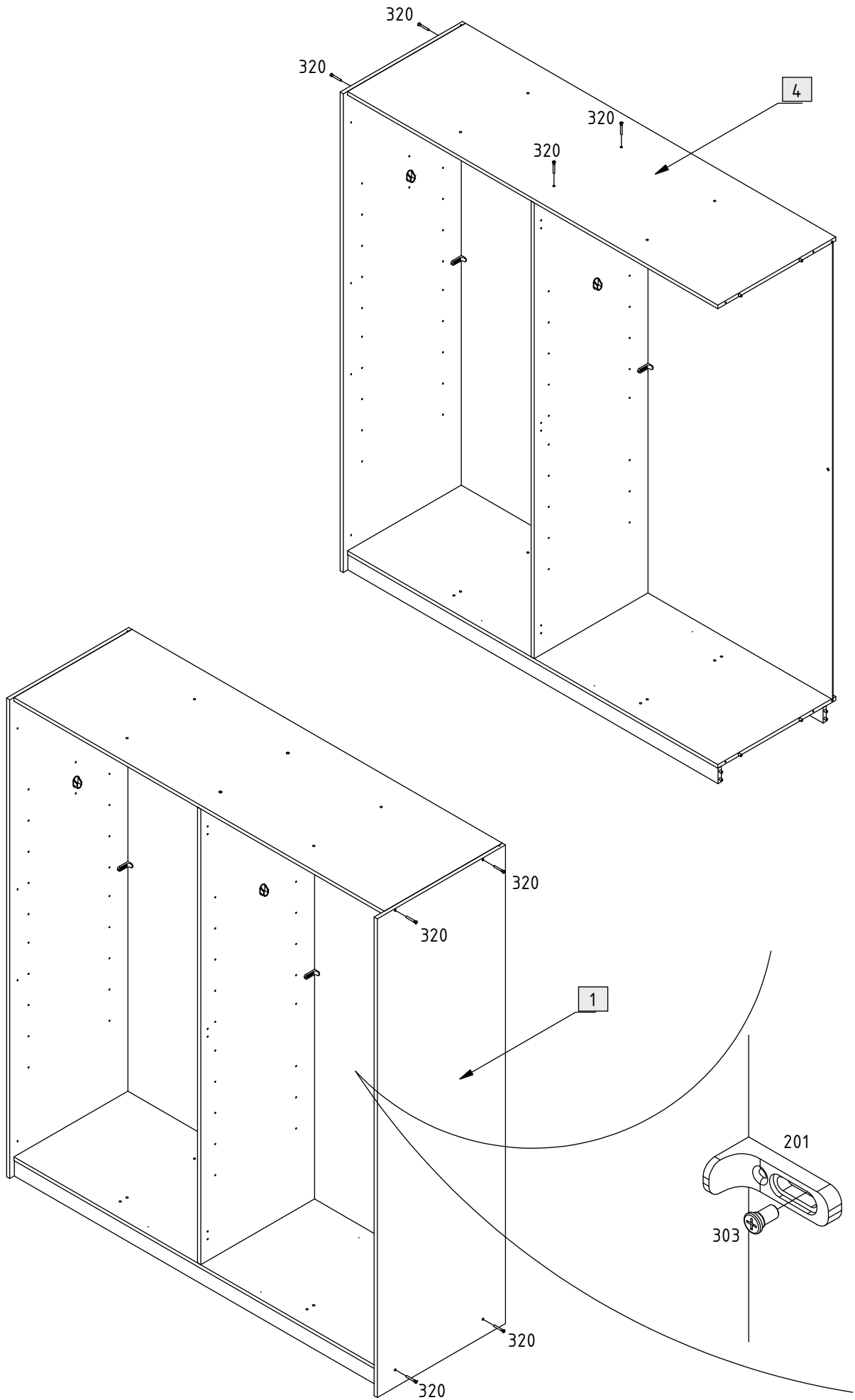


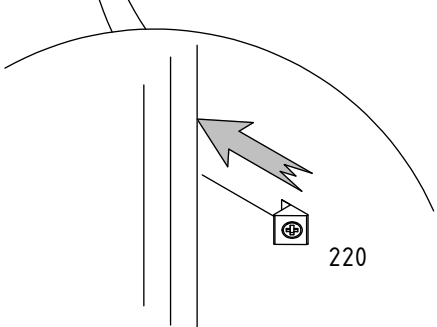
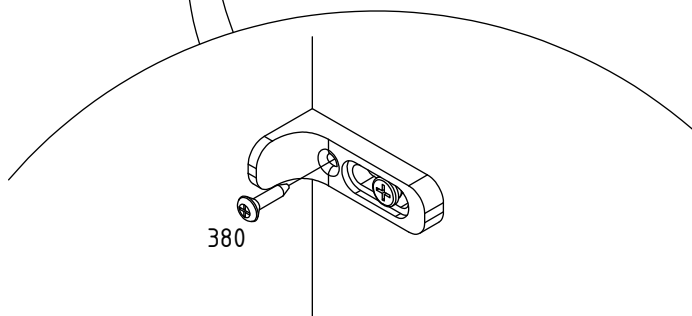
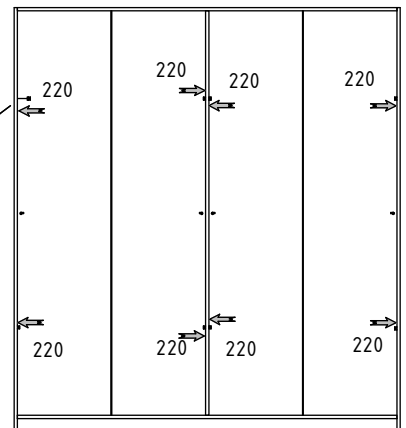
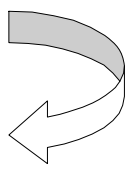
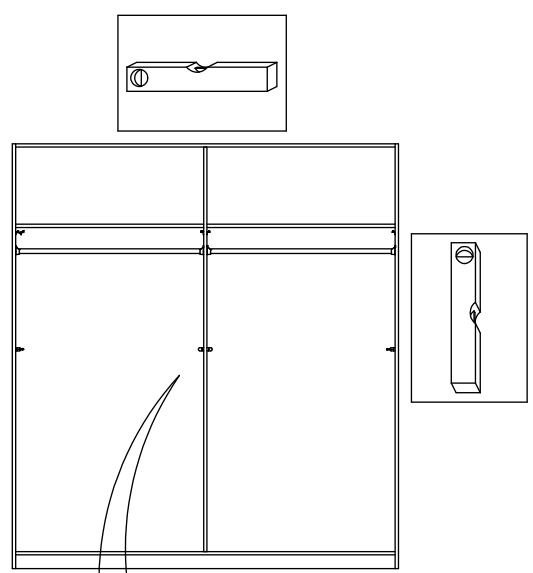
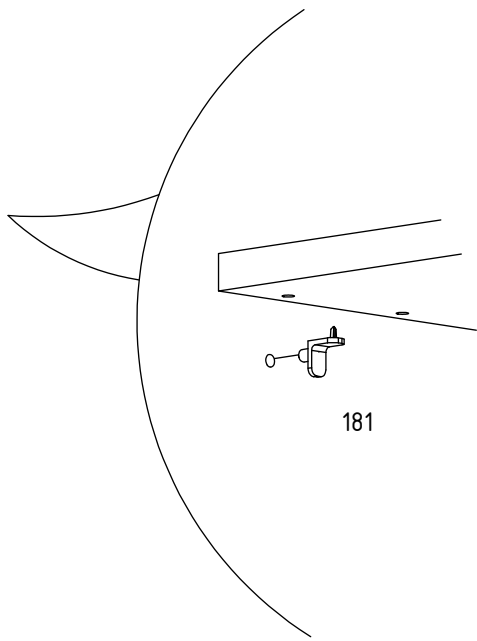
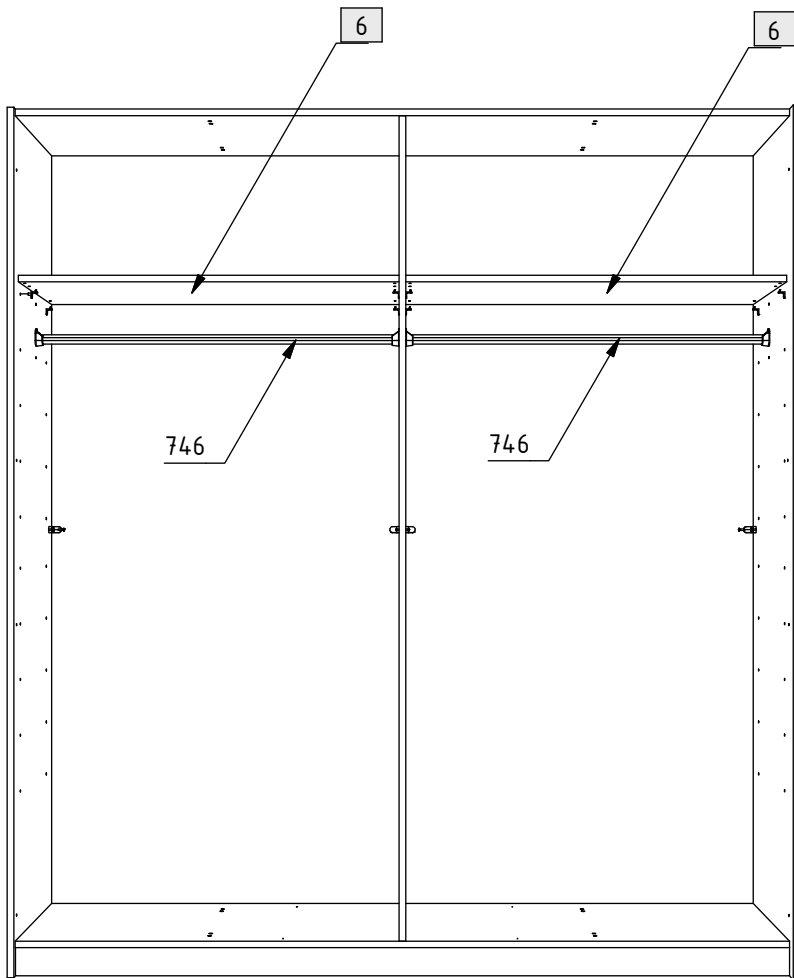






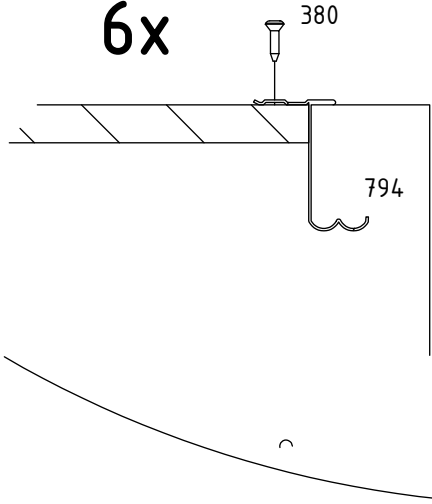






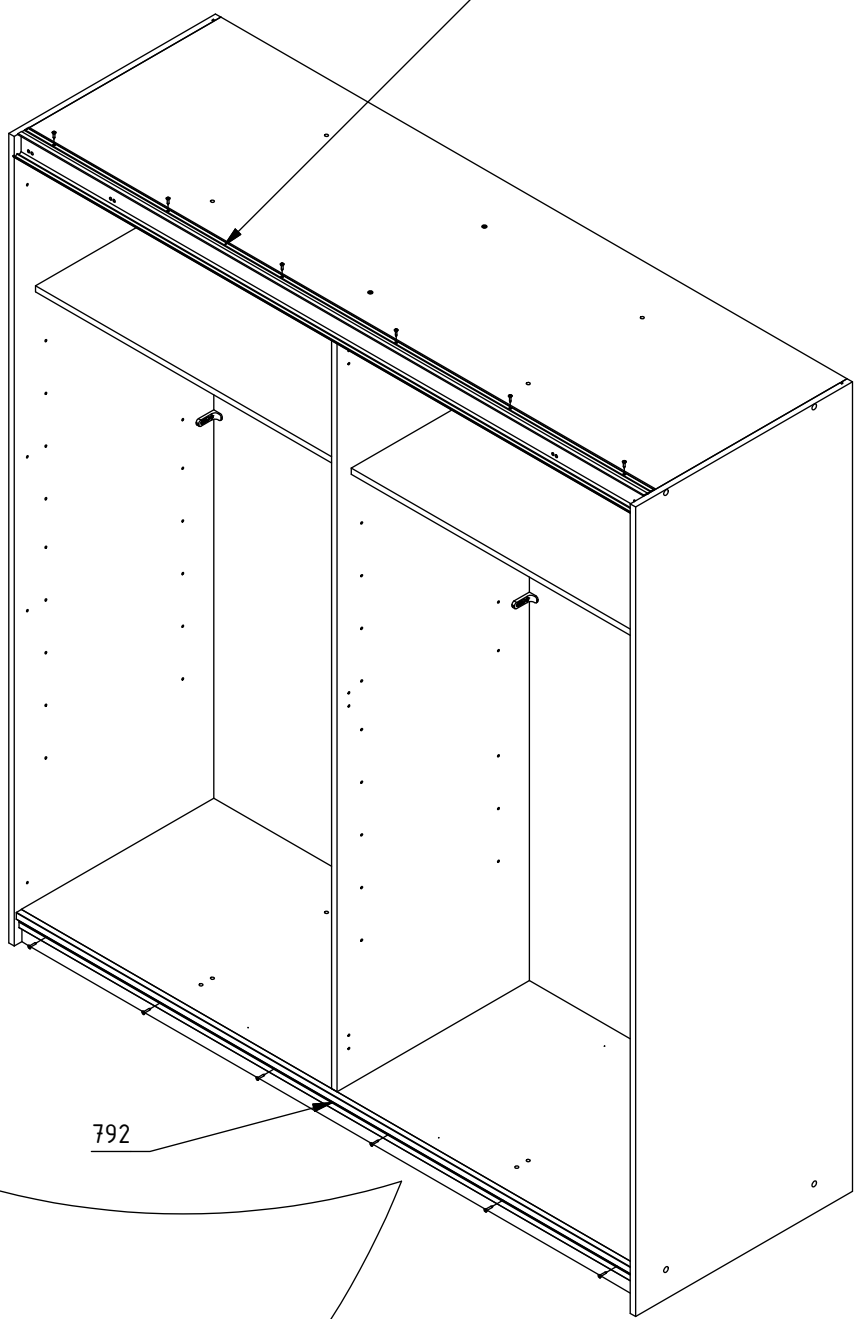
6x

380



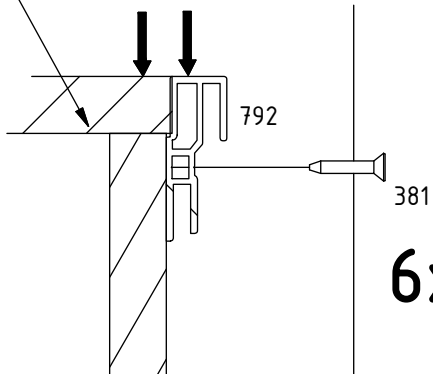
794

794



792

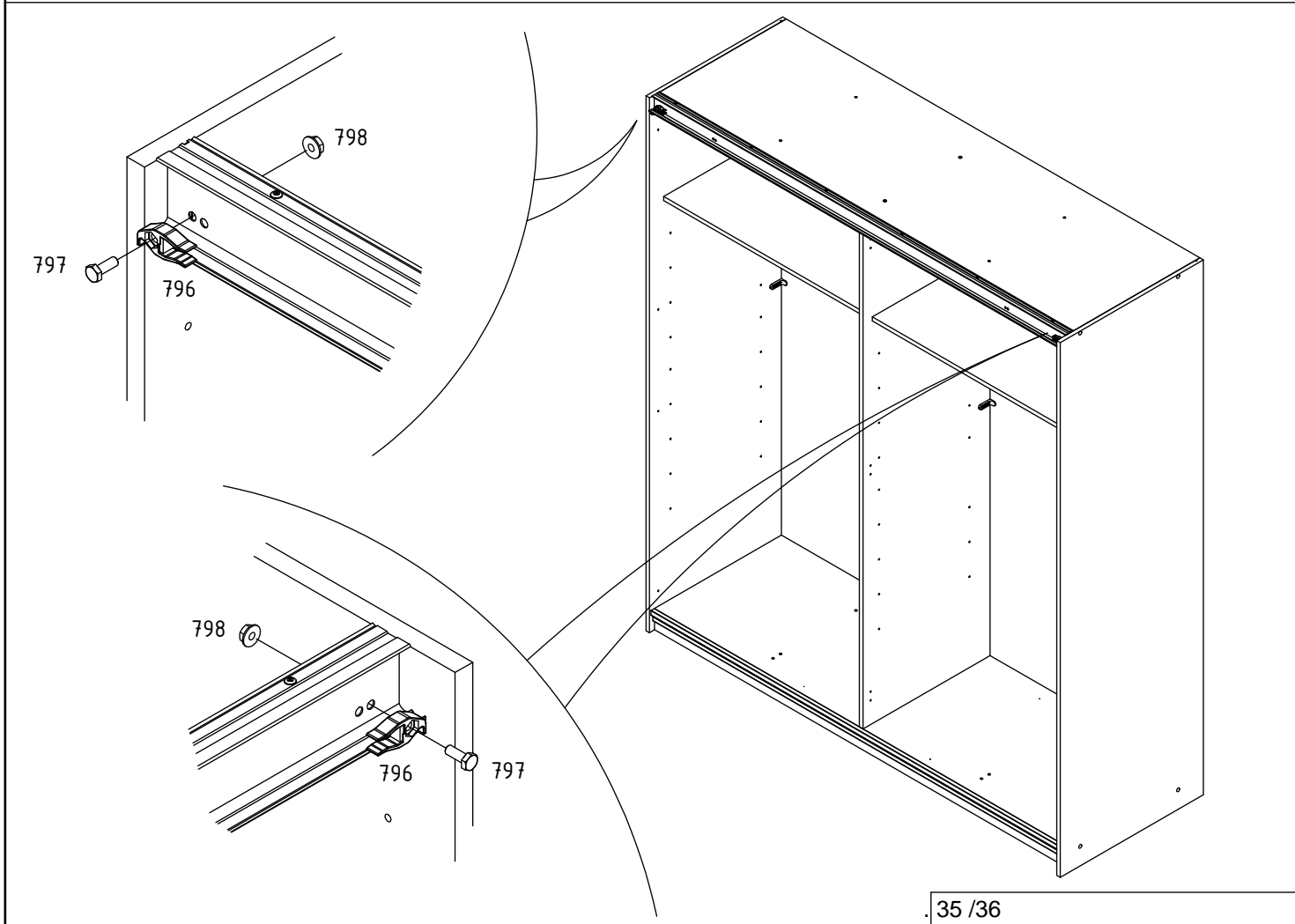
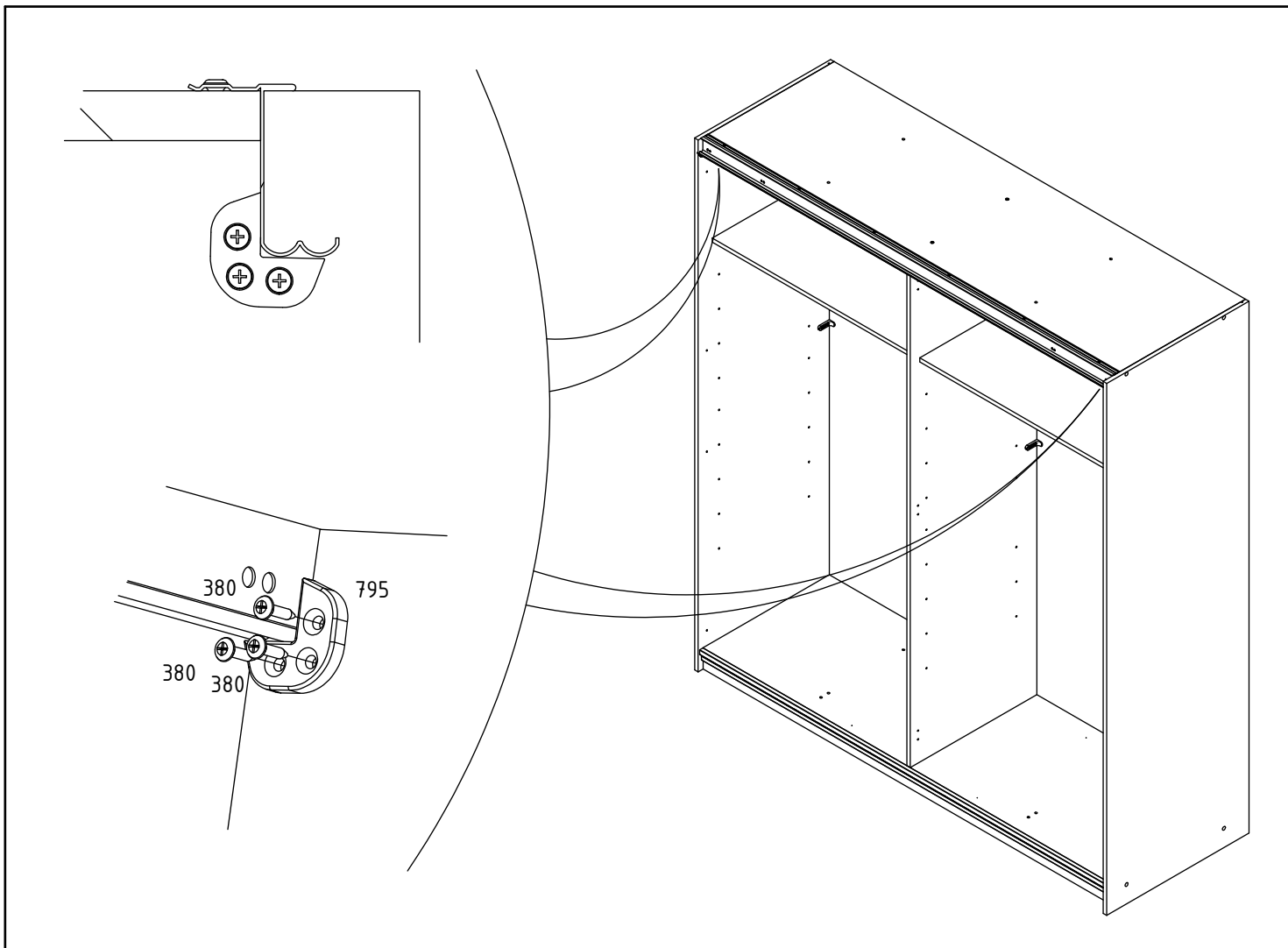
5

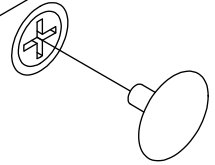
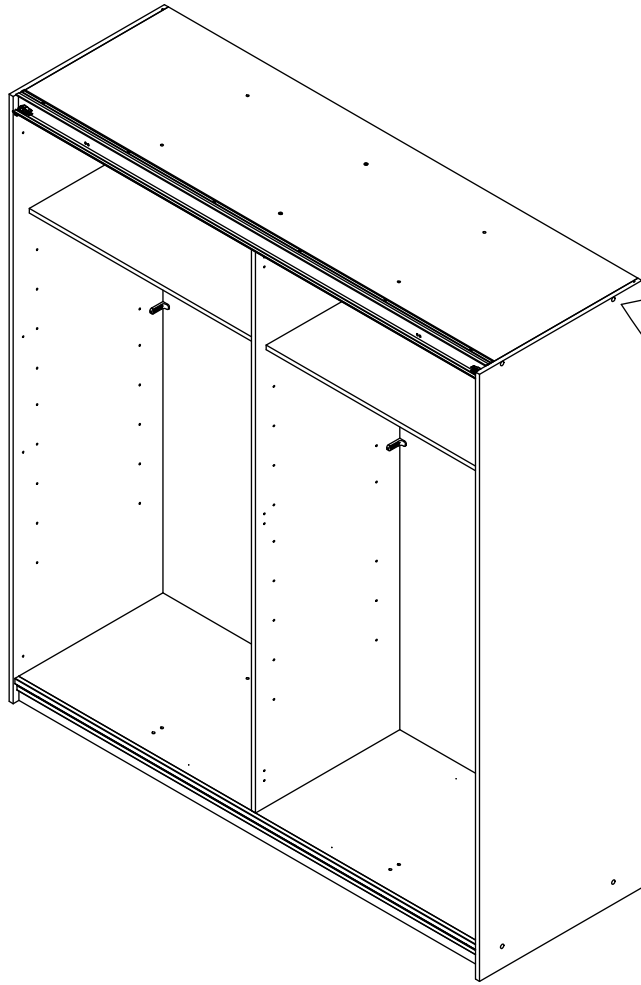


792

381

6x





102